

GENERAL NOTES:

1. VERIFICATION BEFORE PROCEEDING TO LAYOUT THE WORK. REGA ENGINEERING GROUP DID NOT CONDUCT A BOUNDARY SURVEY ON THIS PROPERTY. THE PROPERTY LINES SHOWN ARE ASSUMED AND SHALL BE VERIFIED PRIOR TO LAYOUT OF ALL WORK. ENGAGE A LAND SURVEYOR TO LOCATE THE BOUNDARY PROPERTY LINES AND EASEMENTS BEFORE LAYING OUT THE WORK. PRIOR TO CONSTRUCTION CONTRACTOR OR CONTRACTORS SUB SHALL VERIFY SURVEYORS COORDINATES, OFFSETS, CONSTRUCTION STAKES AND ANY OTHER INFORMATION THE SURVEYOR MAY HAVE PROVIDED AS A MEANS TO LAY OUT THE WORK USING THE SIGNED DRAWING, ELEVATIONS, PROPERTY BOUNDARY SURVEY LOCATED BY CONTRACTORS SURVEYOR, EXISTING BENCHMARK INFORMATION AND ELEVATIONS. CONTACT REGA ENGINEERING IMMEDIATELY WITH ANY CONFLICTS.
2. PROVIDE POSITIVE DRAINAGE AT ALL TIMES WITHIN THE CONSTRUCTION AND PROJECT AREAS. NO PONDING OF WATER SHALL BE ALLOWED EXCEPT AS DESIGNATED ON THE SITE GRADING AND EROSION CONTROL PLAN. MAINTAIN ALL EXISTING DRAINAGE PATTERNS ANY COSTS SHALL BE CONSIDERED INCIDENTAL TO OTHER PAY ITEMS (NO ADDITIONAL PAYMENT WILL BE MADE). MAKE ARRANGEMENTS FOR DISPOSAL OF ALL WATER AND SEWAGE RECEIVED ON THE SITE FROM TEMPORARY CONNECTIONS OR STOPPAGES. DO NOT DISCHARGE ANY WATER OR SEWAGE ONTO PRIVATE PROPERTY OUTSIDE THE CONSTRUCTION RIGHT-OF-WAY.
3. STRIP TOP SOIL AND SEPARATELY STORE TO PROVIDE DEPTH OF TOP SOIL REPLACEMENT AS SPECIFIED.
4. CONTRACTOR IS RESPONSIBLE FOR LIAISON WITH UTILITY COMPANIES AND FOR REPAIRING UTILITIES AND SERVICES WHICH ARE NOT IN DIRECT CONFLICT WITH THE WORK, AND IS RESPONSIBLE FOR DAMAGE DURING CONSTRUCTION AT NO EXPENSE TO THE OWNER, UNLESS INDICATED OTHERWISE ON THE DRAWINGS.
5. CONTRACTOR IS RESPONSIBLE FOR COORDINATION AND PAYMENT FOR PRIVATE UTILITY LOCATES NOT COVERED BY THE ONE-CALL.
6. UTILITIES SHOWN ON DRAWINGS, IN DIRECT LINE AND GRADE, WHICH CONFLICT WITH THE WORK, SHALL BE RELOCATED BY OTHERS AT NO EXPENSE TO THE CONTRACTOR, UNLESS INDICATED OTHERWISE ON THE DRAWINGS.
7. FOR UTILITIES NOT SHOWN ON THE DRAWINGS AND WHICH ARE IN DIRECT CONFLICT WITH THE WORK, THE CONTRACTOR SHALL NOTIFY THE ENGINEER OF THE CONFLICT. WHEN DIRECTED, THE CONTRACTOR SHALL PERFORM THE WORK. THE CONTRACTOR SHALL BE ENTITLED TO PAYMENT FOR ANY EXTRA WORK IN ACCORDANCE WITH THE GENERAL CONDITIONS.
8. UTILITY REMOVAL. BEFORE THE CONTRACTOR BEGINS WORK, HE SHALL CONFER WITH THE OWNERS OF ANY UNDERGROUND OR OVERHEAD UTILITIES WHICH MAY BE ON OR IN CLOSE PROXIMITY TO THE WORK AREAS AND SHALL ARRANGE FOR THE NECESSARY DISCONNECTION OF THE UTILITIES IN ACCORDANCE WITH THE UTILITY COMPANY REGULATIONS. THE UTILITY COMPANY OR OWNER OF THE UTILITY SHALL PERFORM THE WORK OF REMOVING, REPAIRING, RECONDITIONING, OR REVISING THE UTILITY UNLESS OTHERWISE SPECIFIED OR INDICATED ON THE DRAWINGS. THE CONTRACTOR SHALL COOPERATE WITH THE UTILITY COMPANIES SO THAT WORK CAN BE EXPEDITED TO THE BEST INTERESTS OF ALL CONCERNED.
9. REMOVE PAVEMENT TO A MINIMUM OF 1" - 0" FROM EDGE OF TRENCH. NO UNDERCUTTING WILL BE PERMITTED. REMOVE PAVEMENT ON STRAIGHT LINES APPROXIMATELY PARALLEL TO THE CENTER LINE OF THE TRENCH. CUT PAVEMENT AND DRIVES FULL DEPTH WITH A CONCRETE SAW.
10. CONTRACTOR SHALL MAINTAIN ACCESS TO ALL STREETS AND HIGHWAYS INVOLVED IN CONSTRUCTION.
11. CONTRACTOR SHALL DISPOSE OF SURFACE MATERIALS, BUILDING CONSTRUCTION DEBRIS AND TREES IN ACCORDANCE WITH LOCAL ORDINANCES AND AT A SITE APPROVED BY THE OWNER. BURNING OF REFUSE WILL NOT BE PERMITTED. CONTRACTOR SHALL BE RESPONSIBLE FOR THE COST OF UTILITY SERVICE ABANDONMENT AS REQUIRED BY THE VILLAGE OF RANDOLPH.
12. ALL FILL AND BACKFILL MATERIALS SHALL BE LOW-PLASTICITY COHESIVE SOILS OR SAND BASED SOILS AND FREE OF RUBBLE AND ORGANICS. THE FILL MATERIAL SHALL BE LOW-PLASTICITY WITH A LIQUID LIMIT LESS THAN 45 AND A PLASTICITY INDEX RANGING FROM 10 TO 20 PERCENT. WHEN UNSUITABLE MATERIALS ARE ENCOUNTERED, THE CONTRACTOR SHALL NOTIFY THE ENGINEER, IN ACCORDANCE WITH THE GENERAL CONDITIONS. IF DIRECTED BY THE ENGINEER, THE CONTRACTOR SHALL EXCAVATE AND REPLACE WITH SUITABLE MATERIAL. SUITABLE MATERIAL FOR BACKFILL SHALL BE OBTAINED FROM OFF-SITE BORROW AS APPROVED BY THE ENGINEER AND SOIL ENGINEER. CONTRACTOR SHALL REFERENCE GSI GEOTECHNICAL REPORT 2153016 DATED JUNE 10,2021.
13. TOP SOIL SHALL BE CLEAN, FERTILE, FRIABLE SOIL. TOPSOIL SHALL BE A MIXTURE OF SOIL AND ORGANIC MATTER AND SHALL BE FREE OF STONES OVER ONE-HALF INCH IN DIAMETER, HARD CLAY CLUMPS, REFUSE, PLANT MATERIAL OR THEIR ROOTS, STICKS, NOXIOUS WEEDS, SALTS, SOIL STERILANTS OR OTHER MATERIAL THAT IS DETRIMENTAL TO PLANT GROWTH. THE PH RANGE SHALL BE 5.0 TO 7.5, 25% ORGANIC MATERIAL MINIMUM AS DETERMINED BY LOSS ON IGNITION OF MOISTURE FREE SAMPLES DRIED AT 100 DEGREES CENTIGRADE. TOPSOIL SHALL CONFORM TO ASTM D 5268. OBTAIN FROM NATURALLY WELL DRAINED SITES FREE OF FLOODING WHERE TOPSOIL OCCURS AT LEAST 4 INCHES DEEP. DO NOT OBTAIN FROM BOGS OR MARSHES. TOPSOIL SHALL NOT BE DELIVERED OR USED WHILE IN A FROZEN OR SATURATED CONDITION.
14. STRIP TOPSOIL AND VEGETATION TO A DEPTH OF 2 TO 4 INCHES OR BELOW THE ROOT CROWN. THE CONTRACTOR SHALL CONSULT THE ENGINEER DURING STRIPPING OPERATIONS TO AVOID REMOVING MORE TOPSOIL THAN IS NECESSARY.
15. REMOVE EXISTING MATERIAL INSIDE BUILDING TO PROVIDE A MINIMUM OF 12 INCHES OF STRUCTURAL FILL BELOW GRANULAR BASE OR APPROVED ALTERNATES PER GEOTECHNICAL REPORT AND 5' OUTSIDE OF BUILDING ENVELOPE PRIOR TO THE PLACEMENT OF ANY NEW FILL; THE TOP NINE (9) INCHES OF THE EXISTING MATERIAL SHALL BE SCARIFIED AND RECOMPACTED BEFORE PLACEMENT OF ANY FILL IF REQUIRED. THE REWORKED SOIL SHALL BE COMPACTED TO MINIMUM OF 98 PERCENT OF THE MAXIMUM DRY DENSITY AS RECOMMENDED BY ASTM D698. UNSUITABLE AREAS OBSERVED AT THIS TIME SHALL BE IMPROVED BY RECOMPACTION OR BY REMOVAL AND REPLACEMENT WITH STRUCTURAL FILL. PROOFROLLING SHALL BE ACCOMPLISHED WITH A FULLY LOADED TADEM-AXEL DUMP TRUCK OR OTHER EQUIPMENT PROVIDING AN EQUIVALENT SUBGRADE LOADING. A MINIMUM GRADE WEIGHT OF 25 TONS IS REQUIRED FOR THE PROOFROLLING EQUIPMENT.
16. COMPACTION OF FILL: ALL FILL AND BACKFILL SHALL BE WETTED OR DRIED BY AERATION, AND THEN COMPACTED TO THE FOLLOWING PERCENTAGE OF MAXIMUM DENSITY AT A MOISTURE CONTENT WITHIN THE LIMITS SPECIFIED ABOVE OR BELOW OPTIMUM MOISTURE CONTENT, AS DETERMINED BY TESTING PROCEDURE ASTM D 698, (STANDARD PROCTOR) AND ASTM D1557 (MODIFIED PROCTOR), UNLESS OTHERWISE NOTED:

MATERIAL	PERCENT OF MAXIMUM (COHESIVE SOIL ONLY)	ASTM	PERCENT ABOVE OR BELOW OPTIMUM MOISTURE CONTENT
* RANDOM FILL	95% MINIMUM	D698	-0% TO +4%
* UPPER 6" OF SUBGRADE BENEATH SIDEWALKS	95% MINIMUM	D698	-0% TO +4%
* TRENCH BACKFILL UNDER PAVEMENT	98% MINIMUM	D698	-0% TO +4%
* TRENCH BACKFILL GRASS AREA	95% MINIMUM	D698	-0% TO +4%
* BACKFILL AROUND FOUNDATIONS/RETAINING WALLS	98% MINIMUM	D698	-0% TO +4%
* UPPER 12" OF SUBGRADE BENEATH PAVEMENT	98% MINIMUM	D698	-0% TO +4%
* UPPER 12" OF SUBGRADE BENEATH BUILDING	98% MINIMUM	D698	-0% TO +4%
17. EXTEND COMPACTION REQUIREMENTS FOR ALL PAVEMENTS TO 3 FEET BEYOND PAVEMENT PERIMETER. EXTEND COMPACTION REQUIREMENTS FOR ALL SIDEWALKS TO 18 INCHES BEYOND SIDEWALK PERIMETER.
18. COMPACT COHESIVE SOILS BY THE USE OF SHEEPSFOOT OR PNEUMATIC TYPE COMPACTORS UNDER OPTIMUM MOISTURE CONDITIONS.
19. CONTRACTOR SHALL GRADE ALL DISTURBED AREAS. OWNER TO SEED.
20. UPON COMPLETION OF ROUGH GRADING, THE CONTRACTOR SHALL SPREAD (6) INCHES OF TOPSOIL. CONTRACTOR SHALL FINE GRADE SITE WITH NO MORE THAN TWO (2) PASSES. ESTABLISH VEGETATIVE COVER IMMEDIATELY AFTER FINISH GRADING. IN AREAS WHERE COMPOST IS NOT TO BE USED, THE CONTRACTOR SHALL SPREAD TOPSOIL. BEFORE SPREADING TOPSOIL, GRADED AREAS SHALL BE SCARIFIED FOR A DEPTH OF 6 INCHES, AND ALL SETTLEMENTS AND WASHES SHALL BE REPAIRED. FINISH GRADE SHALL BE HELD 1 INCH BELOW ADJACENT SIDEWALKS, CURBS AND PAVEMENT. TOPSOIL SHALL BE FREE OF ROCKS, RUBBLE, WOOD AND OTHER UNDESIRABLE MATERIAL.
21. PERFORM FINISH GRADING OF TOPSOIL ADEQUATELY FOR SEED OR WHATEVER MATERIAL IS PLACED IN EACH AREA. FINISHED SURFACE SHALL BE REASONABLY SMOOTH, COMPACTED AND FREE FROM IRREGULAR SURFACE CHANGES. THE DEGREE OF FINISH SHALL BE THAT ORDINARILY OBTAINABLE FROM BLADE GRADER OPERATIONS, EXCEPT AS OTHERWISE NEEDED. FINISHED SURFACE SHALL BE NOT MORE THAN 0.10 FEET ABOVE OR BELOW ESTABLISHED GRADE OR APPROVED CROSS SECTION. ALL SWALES SHALL BE FINISHED SO AS TO DRAIN READILY. PRIOR TO THE INSTALLATION OF SEEDING OR SOD, A FINAL WALK THRU OF THE SITE SHALL BE CONDUCTED AND ANY MODIFICATIONS TO THE SITE GRADING SHALL BE MADE TO ENSURE THE ENTIRE SITE HAS POSITIVE DRAINAGE. THESE GRADING MODIFICATIONS SHALL BE CONDUCTED BY THE CONTRACTOR AT NO ADDITIONAL COST TO THE OWNER.
22. FINAL TOPSOIL THICKNESS SHALL BE AS FOLLOWS:

LOCATION	THICKNESS (INCHES)
SEEDED GRASS AREAS	6 MIN.
TREE AND SHRUB BEDS	12 MIN.
GROUND COVER AREAS	12 MIN.
23. ALL WORK SHALL BE DONE IN ACCORDANCE WITH THE REQUIREMENTS OF THE VILLAGE OF RANDOLPH AND NDOT STANDARD SPECIFICATIONS FOR HWY CONSTRUCTION, AND ITS MOST CURRENT REVISIONS EXCEPT AS MODIFIED BY THE DETAILED SPECIFICATIONS. IF A CONFLICT EXISTS BETWEEN EITHER THE NDOT SPECIFICATIONS AND THE DETAILED SPECIFICATIONS THE MORE STRINGENT SPECIFICATION SHALL GOVERN AS DETERMINED BY THE PROJECT ENGINEER.

24. THE LOCATIONS OF ALL AERIAL AND UNDERGROUND UTILITY FACILITIES ARE APPROXIMATE OR MAY NOT BE INDICATED IN THESE PLANS. UNDERGROUND FACILITIES, WHETHER INDICATED OR NOT, WILL BE LOCATED AND FLAGGED BY THE UTILITIES AT THE REQUEST OF THE CONTRACTOR. NO EXCAVATION WILL BE PERMITTED IN THE AREA UNTIL ALL SUCH UNDERGROUND UTILITY FACILITIES HAVE BEEN LOCATED AND IDENTIFIED TO THE SATISFACTION OF ALL PARTIES, AND THEN ONLY WITH EXTREME CARE TO AVOID ANY POSSIBILITY OF DAMAGE TO THE UTILITY FACILITY. IT SHALL BE THE RESPONSIBILITY OF THE CONTRACTOR TO PROTECT ALL EXISTING UTILITIES, PAVEMENT, AND OTHER IMPROVEMENTS NOT DESIGNATED FOR REMOVAL OR ABANDONMENT. ANY DAMAGE TO EXISTING UTILITIES AND/OR PAVED STREETS NOT DESIGNATED FOR REMOVAL OR ABANDONMENT CAUSED BY CONSTRUCTION OPERATIONS SHALL BE REPAIRED AT THE CONTRACTORS EXPENSE. IN ALL CASES, WITH NO EXCEPTION THE CONTRACTOR, BEFORE BEGINNING CONSTRUCTION OF ANY NEW UNDERGROUND FACILITIES, SHALL LOCATE, UNCOVER AND DETERMINE THE HORIZONTAL AND VERTICAL LOCATION OF ALL EXISTING UNDERGROUND FACILITIES WHICH MAY POTENTIALLY CONFLICT WITH HIS WORK, OR ARE TO BE INCORPORATED INTO THE NEW WORK. BEFORE PROCEEDING, THE CONTRACTOR SHALL CONFIRM THAT A CONFLICT DOES NOT EXIST AND THE UNDERGROUND WORK MAY BE PERFORMED AS SHOWN ON THE PLANS. IF THE CONTRACTOR DETERMINES THAT A PROBLEM DOES EXIST, THE CONTRACTOR SHALL IMMEDIATELY NOTIFY THE ENGINEER WHO WILL MAKE THE FINAL DETERMINATION FOR RESOLVING THE CONFLICT. THE CONTRACTOR WILL RECEIVE NO ADDITIONAL COMPENSATION FOR ANY DELAYS OR WORK RESULTING FROM A CONFLICT WHICH HAS NOT THOROUGHLY BEEN INVESTIGATED PRIOR TO PROCEEDING WITH THE WORK. THE CONTRACTOR MAY REQUEST ADDITIONAL COMPENSATION FOR ANY ADDITIONAL WORK PERFORMED TO DIRECTLY RESOLVE THE CONFLICT AS DIRECTED IN WRITING BY THE ENGINEER. THE TIME LIMIT TO COMPLETE THE WORK IS AS STATED IN THE SPECIFICATIONS.
25. THE CONTRACTOR SHALL CALL FOR THE EXISTING UTILITY LOCATION STAKES (1-800-331-5666) 48 HOURS PRIOR TO DIGGING. CALL ALL APPLICABLE UTILITY COMPANIES.
26. THE CONTRACTOR SHALL ADJUST TO GRADE ALL WATER AND GAS VALVE BOXES AND MANHOLES THAT FALL WITHIN THE LIMITS OF THIS CONTRACT (NO PAY ITEM). THE CONTRACTOR SHALL KEEP ALL SAID WATER, GAS, AND EXISTING SEWERS AND THEIR APPURTENANCES FREE OF DEBRIS AND OPERABLE AT ALL TIMES DURING CONSTRUCTION. INSPECTION DURING CONSTRUCTION SHALL BE PAID FOR BY THE OWNER. THE CITY CONSTRUCTION ENGINEER SHALL BE NOTIFIED BY THE CONTRACTOR 48 HOURS BEFORE THE START OF CONSTRUCTION.
27. BENCHMARK ELEVATIONS SHALL BE REFERENCED AS SHOWN ON THE PLANS.
28. THE CONTRACTOR SHALL PROVIDE, FURNISH AND MAINTAIN ALL NECESSARY BARRICADES, WARNING SIGNS, LIGHTS AND FLAGMAN AS PER THE "MUTCD MANUAL TRAFFIC CONTROL GUIDELINES FOR STREET CONSTRUCTION, MAINTENANCE, AND UTILITY OPERATIONS" AND AS DIRECTED BY THE ENGINEER.
29. THE CONTRACTOR SHALL PROTECT, BY WHATEVER MEANS REQUIRED, ALL TRAFFIC SIGNALS, MAILBOXES, FENCES, SIGNS, STRUCTURES, DRIVEWAYS, SIDEWALKS, STREETS, POLES, BUSHES, TREES, IRRIGATION SYSTEMS, ETC. WHICH ARE NOT DESIGNATED FOR REMOVAL OR ARE OUTSIDE THE LIMITS OF CONSTRUCTION. ANY DAMAGE OR DESTRUCTION CAUSED BY THE CONTRACTOR SHALL BE REPAIRED OR REPLACED AT A MINIMUM TO THE ORIGINAL CONDITION, AS DIRECTED BY THE ENGINEER, AND AT THE COST OF THE CONTRACTOR.
30. THE CONTRACTOR SHALL PROVIDE AND MAINTAIN TEMPORARY EROSION CONTROL DEVICES, AS SHOWN ON THE PLANS IN CONFORMANCE WITH THE VILLAGE OF RANDOLPH STANDARD SPECIFICATIONS FOR MUNICIPAL CONSTRUCTION OR AS MANDATED BY THE ENGINEER. UPON COMPLETION, THE CONTRACTOR SHALL REMOVE ALL TEMPORARY EROSION CONTROL DEVICES UNLESS DIRECTED OTHERWISE BY THE ENGINEER. AFTER SUFFICIENT GROUND COVER HAS BEEN ESTABLISHED AS DETERMINED BY THE ENGINEER, THE CONTRACTOR SHALL REMOVE THE TEMPORARY EROSION CONTROL DEVICES INCLUDING SILT FENCING AND SEDIMENT CONTROL BASINS, AND ESTABLISH GROUND COVER IN DISTURBED AREAS.
31. SHOP DRAWING SUBMITTALS SHALL INCLUDE, BUT ARE NOT LIMITED TO: SANITARY SEWER PIPING, WATER PIPING, CONCRETE MIX DESIGN, WATER VALVES, PAINT STRIPING, JOINT SEALANT, TOP SOIL MIX, TRACER WIRE, ALL PIPE FITTINGS, GROUND RODS, STORM SEWER PIPING, STORM SEWER INLET GRATES AND INLETS, CLEANOUTS AND CLEANOUT COVERS, ALL SERVICE LINE TAPS, CRUSHED ROCK OR LIMESTONE, CRUSHED CONCRETE, FENCING AND RECORD DRAWINGS AS REQUIRED.
32. A DIAMOND EDGE SAW BLADE SHALL BE USED FOR CUTTING ALL REQUIRED CONTRACTION AND LONGITUDINAL PAVEMENT JOINTS AND CONCRETE REMOVAL. ALL REMOVAL SHALL BE FULL DEPTH SAW CUT.
33. PAVING DIMENSIONS ARE SHOWN ON THE PLANS. ALL DIMENSIONS ARE BACK-OF-CURB TO BACK-OF-CURB.
34. ALL CONCRETE SHALL BE 4000 PSI 47B CONCRETE WITH 1PF CEMENT AND FOLLOW NEBRASKA DEPARTMENT OF TRANSPORTATION STANDARDS AND SPECIFICATIONS.
35. CONTRACTOR IS RESPONSIBLE AND SHALL OBTAIN ALL PERMITS FOR WORK DONE WITHIN SITE AND VILLAGE OF RANDOLPH RIGHT-OF-WAY.
36. THE CONTRACTOR SHALL CONSTRUCT ALL PAVEMENTS TO CONFORM WITH THE CORRECT CROSS SECTIONS, LINES AND FINISH GRADES AS INDICATED ON THE PLANS, NO PONDING OF WATER SHALL BE ALLOWED.
37. CONTRACTOR SHALL SEAL ALL JOINTS WITH SEALANT SHOWN ON NDOT APPROVED PRODUCT LIST AND AS DETAILED ON DETAIL 2/C2.0.
38. STRENGTH OF EACH CONCRETE MIX WILL BE SATISFACTORY IF AVERAGE OF ANY 3 CONSECUTIVE COMPRESSIVE-STRENGTH TESTS OR EXCEEDS SPECIFIED COMPRESSIVE STRENGTH AND NO COMPRESSIVE-STRENGTH TEST VALUE FALLS BELOW SPECIFIED COMPRESSIVE STRENGTH BY MORE THAN 500 PSI (3.4 MPa).
39. THE FINAL SOIL GRADES IN ALL LANDSCAPE AREAS BETWEEN BUILDINGS AND PAVED AREAS SHALL NOT BE GREATER THAN 1" BELOW PAVEMENT BEFORE SOD, ROCK, MULCH OR OTHER LANDSCAPE MATERIALS ARE INSTALLED AND SHALL HAVE A MINIMUM OF 4% SLOPE AWAY FROM BUILDINGS.
40. CONTRACTOR SHALL ENGAGE A QUALIFIED INDEPENDENT TESTING AND INSPECTING AGENCY TO PERFORM FIELD TESTS AND INSPECTION. CONTRACTOR SHALL PAY FOR ALL TESTING AND ANY FAILED TESTS FOR ALL MATERIAL AND CONCRETE TESTING AS REQUIRED BELOW. TESTING AGENCY SHALL PROVIDE REGA ENGINEERING, ARCHITECT AND RANDOLPH PUBLIC SCHOOLS WITH ALL TEST RESULTS.

DESIGNATED AREA	TESTING FREQUENCY
* ALL LIFTS OF FILL	1 TEST PER 3000 SF OR PER SMALLER SEPARATE AREA PREPARED.
* CONCRETE	OBTAIN AT LEAST 1 COMPOSITE SAMPLE FOR EACH 100 CU. YD. (76 CU. M) OR FRACTION THEREOF OF EACH CONCRETE MIX PLACED EACH DAY. WHEN FREQUENCY OF TESTING WILL PROVIDE FEWER THAN FIVE COMPRESSIVE-STRENGTH TESTS FOR EACH CONCRETE MIXTURE, TESTING SHALL BE CONDUCTED FROM AT LEAST FIVE RANDOMLY SELECTED BATCHES OR FROM EACH BATCH IF FEWER THAN FIVE ARE USED.
* SLUMP	ONE TEST AT POINT OF DISCHARGE FOR EACH DAY'S POUR OR ONE PER 50 YARDS OF EACH TYPE OF CONCRETE AND WHEN CONSISTENCY SEEMS TO HAVE CHANGED. TESTS SHALL ADHERE TO ASTM C 143.
* AIR CONTENT	ONE TEST FOR EACH DAY'S POUR OR PER 50 YARDS OF EACH TYPE OF AIR ENTRAINED CONCRETE AND WHENEVER COMPRESSIVE STRENGTH SPECIMENS ARE CAST. TESTS SHALL ADHERE TO ASTM C 231, PRESSURE METHOD.
* CONCRETE TEMPERATURE	ONE TEST HOURLY WHEN AIR TEMPERATURE IS 40 DEG F (4.4 DEG C) AND BELOW AND WHEN 80 DEG F (27 DEG C) AND ABOVE, AND ONE TEST FOR EACH COMPOSITE SAMPLE. TESTS SHALL ADHERE TO ASTM C 1064.
* COMPRESSION TEST SPECIMENS	ONE SET OF THREE (3) STANDARD 6 X12 CYLINDERS FOR EACH DAY'S POUR, PLUS ADDITIONAL SETS FOR EACH 50 CUBIC YARDS. TESTS SHALL ADHERE TO ASTM C 39.
* COMPRESSIVE-STRENGTH TESTS	TEST 1 SPECIMEN AT 7 DAYS AND 2 SPECIMENS AT 28 DAYS. A COMPRESSIVE-STRENGTH TEST SHALL BE THE AVERAGE COMPRESSIVE STRENGTH FROM 2 SPECIMENS OBTAINED FROM SAME COMPOSITE SAMPLE AND TESTED AT 28 DAYS. TESTS SHALL ADHERE TO ASTM C 39/C 39M.



VICINITY MAP
SEC.30, TN28N, R1E
NORTH

UTILITY NOTES:

1. CONTRACTOR SHALL PROVIDE ALL BENDS, TEES, ELBOW, BACKING BLOCKS AND CORPORATION STOPS AS REQUIRED BY LOCAL CODES TO PROVIDE A FULLY FUNCTIONAL WATER SUPPLY SYSTEM WHETHER SHOWN ON THE DRAWINGS OR NOT. ALL WATER SUPPLY FIXTURES SHALL BE SUPPLIED, INSTALLED AND LOCATED IN ACCORDANCE WITH THE "10 STATES STANDARDS" AND LOCAL CODES GOVERNING CONSTRUCTION. ADJUST FIXTURE LOCATION AS REQUIRED TO MEET CODE REQUIREMENTS. THE CONTRACTOR SHALL CONTACT THE VILLAGE OF RANDOLPH WATER SYSTEM FOR ITEMS PROVIDED BY THEM.
2. ALL SANITARY AND WATER PIPE AND FITTINGS SHALL MEET THE VILLAGE OF RANDOLPH PLUMBING CODES MOST CURRENT ADDITION.
3. ALL WATER MAINS SHALL HAVE A MINIMUM COVER OF 5'-0" ABOVE TOP OF PIPE.
4. BED ALL WATER LINES AS SHOWN ON SHEET C2.1.
5. DIMENSIONS SHOWN ARE TO CENTERLINE OF PIPES OR FITTINGS AND ARE FROM PROPERTY LINES, CENTERLINES OF DRIVEWAYS, BACK OF CURBS, EDGES OF SIDEWALKS OR FACES OF WALLS.
6. ALL WATER SERVICE LINES SHALL BE HYDROSTATICALLY TESTED AND DISINFECTED BEFORE ACCEPTANCE.
7. ALL GATE VALVES SHALL BE PROVIDED WITH ROADWAY SCREW TYPE CAST IRON VALVE BOX. BOXES FOR 3" AND SMALLER SHALL HAVE ARCH BASE.
8. VALVES LESS THAN 4" SHALL BE BRONZE WEDGE TYPE GATE VALVE. VALVES SHALL HAVE NON-RISING STEM WITH SOLID TEE HEAD OPERATING NUT.
9. UTILITY CONTRACTOR SHALL HAVE APPROVAL OF ALL GOVERNING AGENCIES HAVING JURISDICTION OVER THE SYSTEM PRIOR TO INSTALLATION.
10. SANITARY SEWER CONSTRUCTION SHALL BE IN ACCORDANCE WITH THE LATEST EDITION OF THE VILLAGE OF RANDOLPH STANDARD SPECIFICATIONS FOR MUNICIPAL CONSTRUCTION AND THE VILLAGE OF RANDOLPH PLUMBING CODE LATEST ADDITION.
11. THE "10 STATES STANDARDS" FOR SEWER AND WATER SEPARATION SHALL BE CONFORMED TO.
12. CONTRACTOR SHALL MAINTAIN A 10 FOOT HORIZONTAL SEPARATION BETWEEN SANITARY/STORM SEWER AND DOMESTIC WATER LINES. CONTRACTOR SHALL MAINTAIN A 18 INCH VERTICAL SEPARATION BETWEEN SANITARY/STORM SEWER AND DOMESTIC WATER LINES.
13. ALL SANITARY & WATER LINES TERMINATE 5'-0" OUTSIDE BUILDING FOR CONTINUATION SEE MECHANICAL PLANS.
14. ALL STORM PIPE SHALL BE SMOOTH INTERIOR WALL HDPE.
15. ALL SANITARY PIPE SHALL BE SOLID WALL SCHEDULE 40 PVC WITH CLEAN OUTS EVERY 100' MAX.
16. 2" WATER SERVICE LINE SHALL BE TYPE 'K' SEAMLESS COPPER.
17. 4" FIRE LINE SHALL BE PVC C900, DR 14.

DEMOLITION NOTES:

1. PROTECT ALL SIDEWALKS/PAVEMENT NOT SHOWN FOR REMOVAL. CONTRACTOR SHALL REPAIR ALL DAMAGED SIDEWALK AT NO COST TO THE OWNER.
2. PROTECT ALL UTILITIES NOT BEING AFFECTED BY THE DEMOLITION. ANY DAMAGE OR ACCIDENTAL REMOVAL OF UTILITIES SHALL BE REPAIRED AT THE COST OF THE CONTRACTOR.
3. COORDINATION OF ITEMS REMOVED BY OTHERS SHALL BE THE FULL RESPONSIBILITY OF THE CONTRACTOR.
4. THE CONTRACTOR SHALL PROTECT ALL LANDSCAPING AREAS (TREES, IRRIGATION, DECORATIVE BRICK, ETC.) OUTSIDE OF DEMOLITION AREA NEAR STREET UNLESS OTHERWISE NOTED. ANY DAMAGE SHALL BE REPLACED AT THE COST OF THE CONTRACTOR.
5. REMOVE PAVEMENT TO THE NEAREST CONTRACTION JOINTS. SAW CUT PAVEMENT FULL DEPTH.

PROJECT
201259



601 OLD CHENEY RD., SUITE A
LINCOLN, NEBRASKA 68512
(402) 484.7342

- ENGINEERING
- PLANNING
- LANDSCAPE ARCHITECTURE
- LAND SURVEYING

ISSUED FOR	DATE
PROGRESS SET	01/21/22
CONST. SET	02/04/22

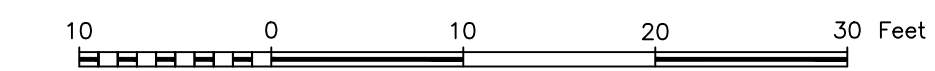
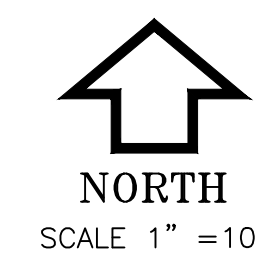
RANDOLPH PUBLIC SCHOOLS
 VOCATIONAL/ART BUILDING
 PHASE II ADDITION,
 RANDOLPH, NEBRASKA 68771



SHEET NO.
C1.0

GENERAL INFORMATION

ISSUED FOR	DATE
PROGRESS SET	01/21/22
CONST. SET	02/04/22

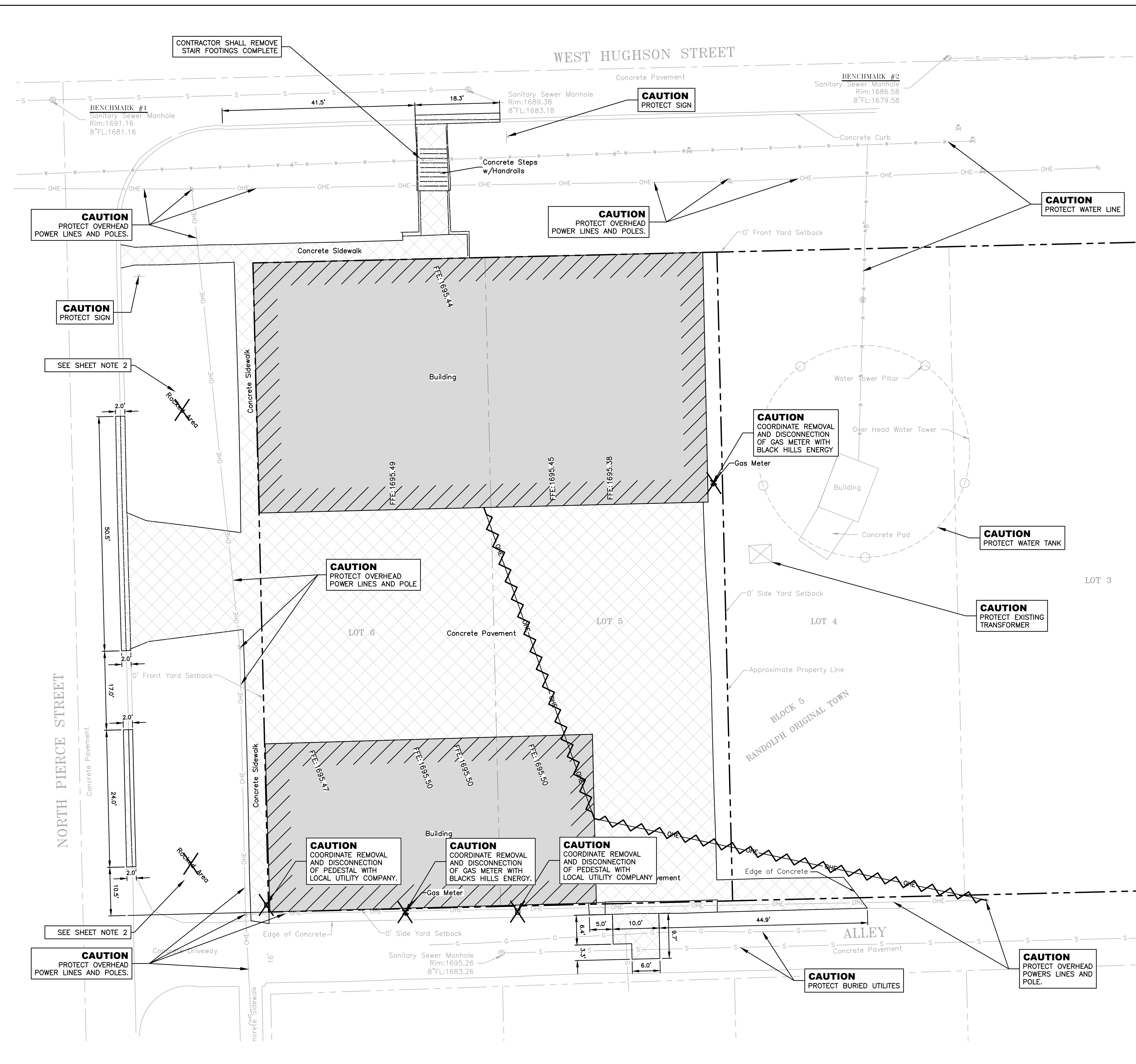


LEGEND

- BUILDING/STRUCTURE/FOOTINGS, COMPLETE REMOVAL. DISCONNECT AND ABANDON ALL UTILITIES AT MAIN PER CITY OF RANDOLPH SPECS.
- PAVEMENT REMOVAL
- REMOVE ITEMS
- PROPERTY LINE (ASSUMED)
- CONTRACTOR SHALL COORDINATE REMOVAL OF OVERHEAD LIMIT TO BUILDINGS

SHEET NOTE:

- CONTRACTOR SHALL COORDINATE REMOVAL/ABANDONMENT OF WATER AND SANITARY LINES FROM REMOVED BUILDINGS WITH JOHN DICKES, PUBLIC WORKS SUPERVISOR WITH THE CITY OF RANDOLPH. (402-337-0567)
- CONTRACTOR SHALL REMOVE ROCK BETWEEN NORTH PIERCE STREET CURB AND EXISTING SIDEWALK.



BENCHMARK

BENCHMARK #1: SANITARY SEWER MANHOLE
NRIM= 1691.16

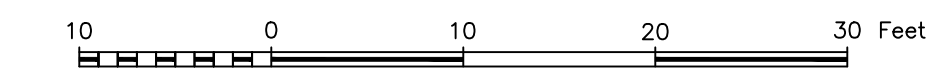
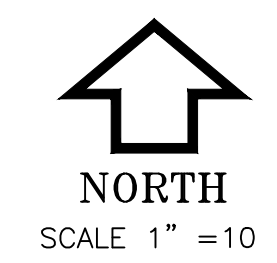
BENCHMARK #2: SANITARY SEWER MANHOLE
NRIM= 1686.58



**RANDOLPH PUBLIC SCHOOLS
VOCATIONAL/ART BUILDING
PHASE II ADDITION,
RANDOLPH, NEBRASKA 68771**

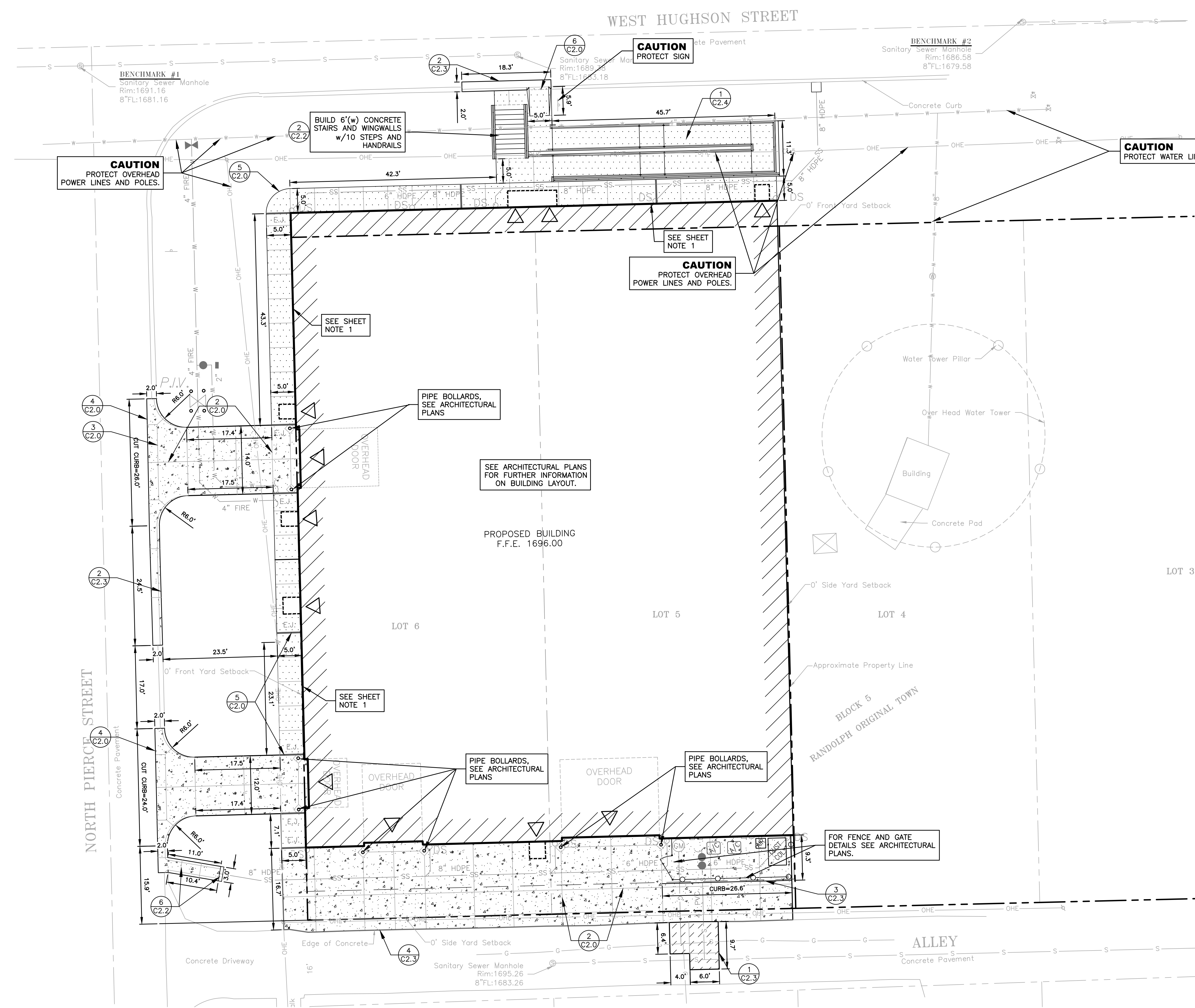


ISSUED FOR	DATE
PROGRESS SET	01/21/22
CONST. SET	02/04/22



LEGEND

- 6" CONCRETE PAVEMENT (1/2) (C2.0)
- 4" SIDEWALK PAVEMENT (5) (C2.0)
- STRUCTURAL STOOP, PROVIDE 1/2" EXPANSION JOINT w/POLYURETHANE SEALANT (SEE STRUCTURAL PLANS)
- PIPE BOLLARD (SEE ARCHITECTURAL PLANS)
- EXPANSION JOINT
- CHAIN LINK FENCE WITH GATES (SEE ARCHITECTURAL PLANS)
- PROPERTY LINE (ASSUMED)
- PAVEMENT REPLACEMENT (1/3) (C2.3)



SHEET NOTE:

1. PROVIDE 1/2" PREFORMED EXPANSION JOINT WITH POLYURETHANE SEALANT ALONG BUILDING.
2. OWNER SHALL SEED ALL DISTURBED AREAS.

BENCHMARK

BENCHMARK #1: SANITARY SEWER MANHOLE
NRIM= 1691.16

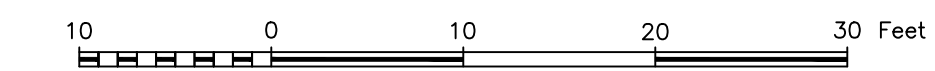
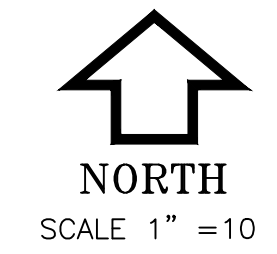
BENCHMARK #2: SANITARY SEWER MANHOLE
NRIM= 1686.58



**RANDOLPH PUBLIC SCHOOLS
VOCATIONAL/ART BUILDING
PHASE II ADDITION,
RANDOLPH, NEBRASKA 68771**



ISSUED FOR	DATE
PROGRESS SET	01/21/22
CONST. SET	02/04/22



LEGEND

- - 1695 - - EXISTING CONTOURS
- 1695 - - PROPOSED CONTOURS
- P XXXX.XX + - PAVEMENT SPOT ELEVATION
- G XXXX.XX + - SPOT GROUND ELEVATION
- GR XXXX.XX + - SPOT GRAVEL ELEVATION
- TW XXXX.XX + - TOP OF WALL SPOT ELEVATION
- BW XXXX.XX + - BOTTOM OF RETAINING WALL (FINISH GRADE AT FACE OF WALL)
- P MATCH + - PAVEMENT TO MATCH EXISTING PAVEMENT ELEVATION
- TC MATCH + - TOP OF CURB TO MATCH TOP OF CURB EXISTING ELEVATION
- - DIRECTION OF FLOW
- [Hatched Box] - EROSION CONTROL MATTING BY OWNER

SHEET NOTE:

1. PROVIDE 1/2" PREFORMED EXPANSION JOINT WITH POLYURETHANE SEALANT ALONG BUILDING.
2. UNLESS OTHERWISE NOTED, ALL GUTTER ELEVATIONS ARE 0.5' BELOW TOP OF CURB ELEVATIONS.

NOTE:
THIS PROJECT IS LESS THAN 1 ACRE AND DOES NOT REQUIRE A SWPPP PERMIT. CONTRACTOR SHALL ADHERE TO THESE PLANS AS BEST MANAGEMENT PRACTICES.

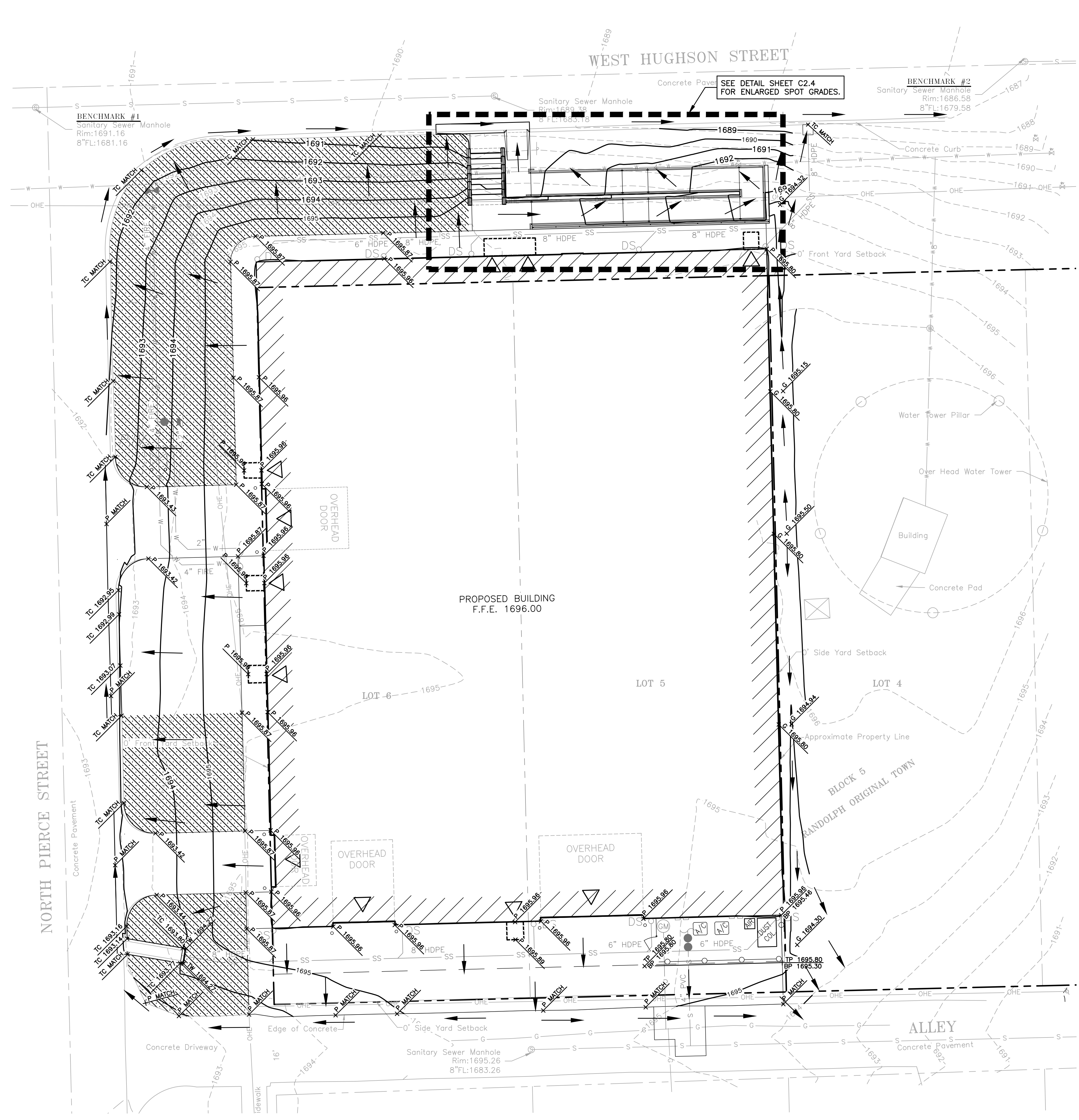
BENCHMARK

BENCHMARK #1: SANITARY SEWER MANHOLE
NRIM= 1691.16

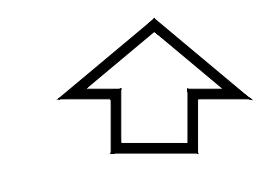
BENCHMARK #2: SANITARY SEWER MANHOLE
NRIM= 1686.58



**RANDOLPH PUBLIC SCHOOLS
VOCATIONAL/ART BUILDING
PHASE II ADDITION,
RANDOLPH, NEBRASKA 68771**



ISSUED FOR	DATE
PROGRESS SET	01/21/22
CONST. SET	02/04/22



NORTH
SCALE 1" = 10'



LEGEND

- S — S — SANITARY SEWER LINE (1 C2.1)
- W — W — WATER LINE (5 C2.1)
- SS — SS — PROPOSED STORM SEWER LINE (1 C2.1)
- ● ● — SANITARY CLEANOUT (2 C2.1) (3 C2.1)
- DS ○ — DOWN SPOUTS (4 C2.1)
- G — GAS LINE (SEE SHEET NOTE # 2)
- ■ — CURB STOP (1 C2.2)

SHEET NOTES:

1. ALL UTILITIES TERMINATE 5'-0" OUTSIDE BUILDING. FOR CONTINUATION INSIDE BUILDING, SEE MECH./ELEC. PLANS.
2. CONTRACTOR SHALL COORDINATE ALL GAS LINE AND METER CONNECTION WITH BLACK HILLS ENERGY.
3. ALL SANITARY PIPE SHALL BE SOLID WALL SCHEDULE 40 PVC WITH CLEAN OUTS EVERY 100' MAX.
4. CONTRACTOR SHALL COORDINATE CONNECTIONS OF WATER AND SANITARY FOR BUILDING WITH JOHN DICKES, PUBLIC WORKS SUPERVISOR WITH THE CITY OF RANDOLPH. (402-337-0567)

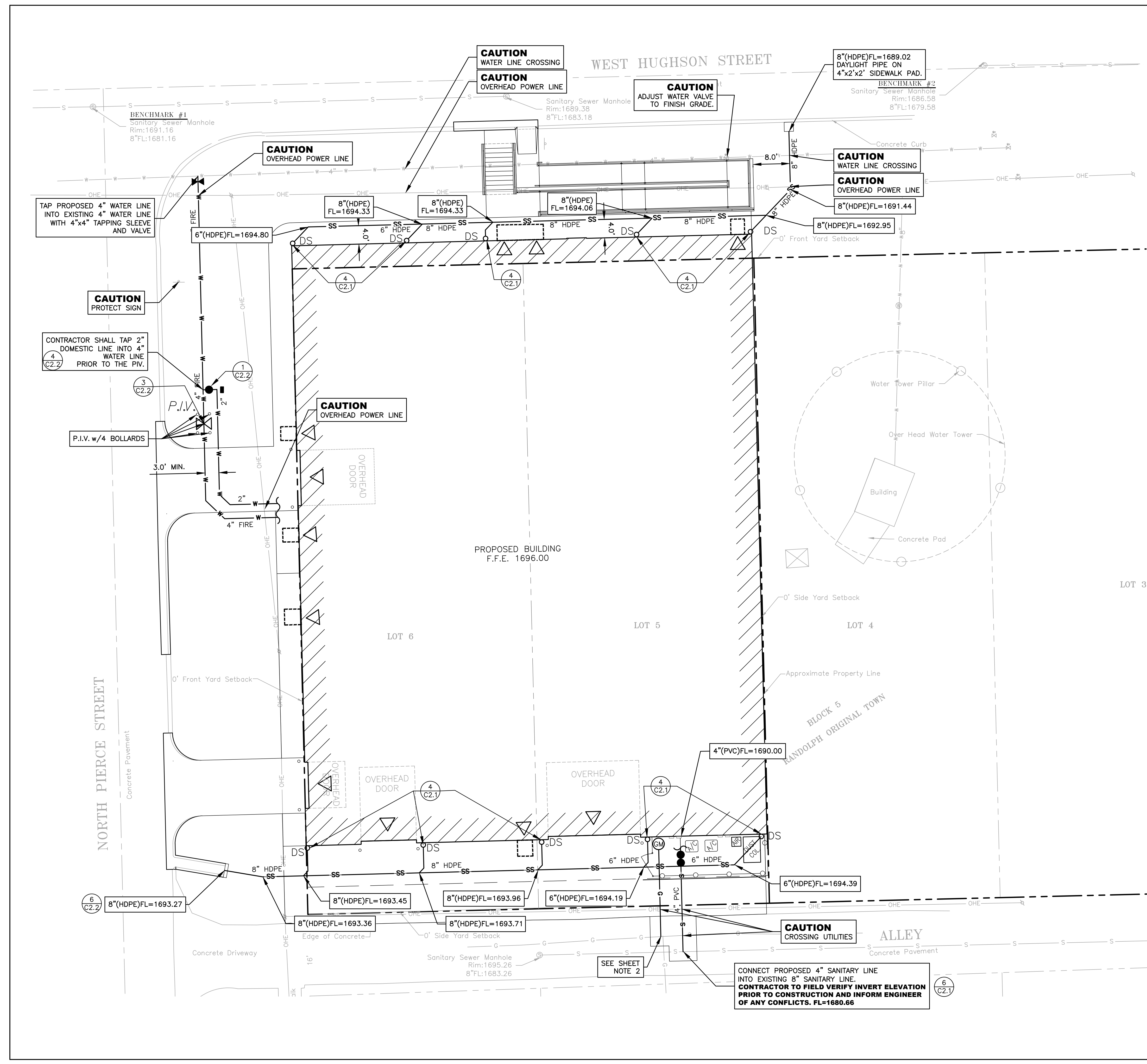
BENCHMARK

BENCHMARK #1: SANITARY SEWER MANHOLE
NRIM= 1691.16

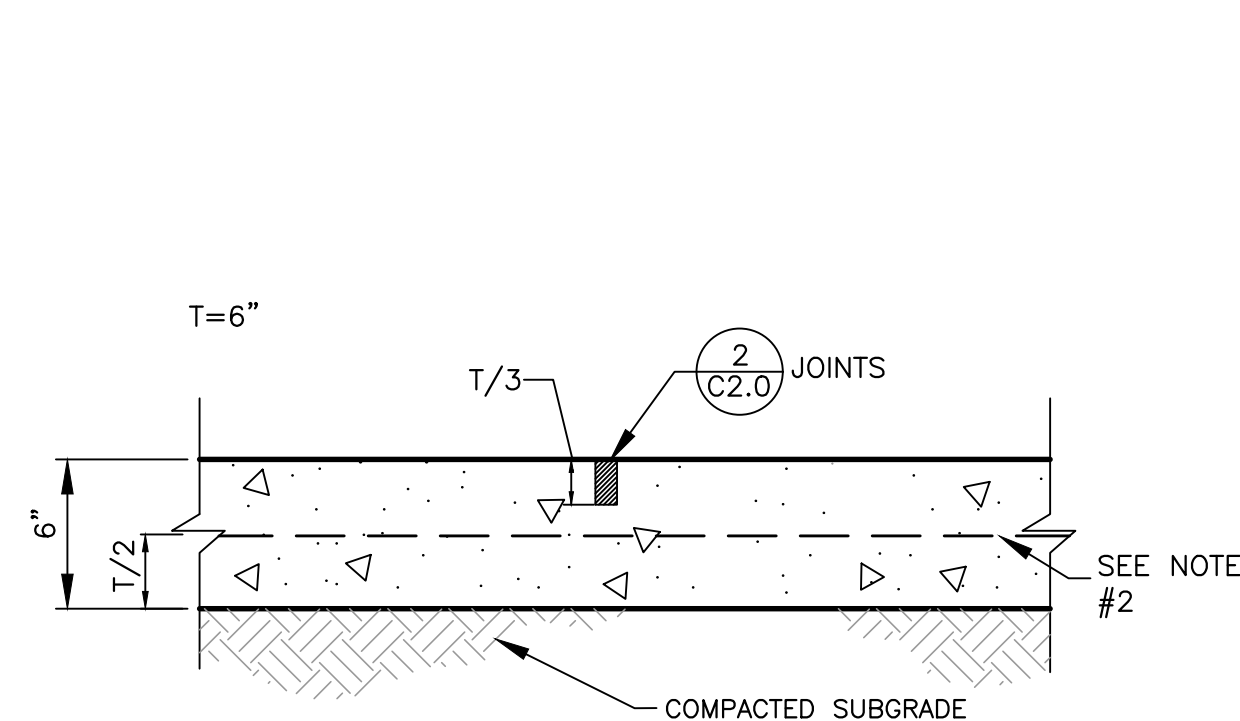
BENCHMARK #2: SANITARY SEWER MANHOLE
NRIM= 1686.58



**RANDOLPH PUBLIC SCHOOLS
VOCATIONAL/ART BUILDING
PHASE II ADDITION,
RANDOLPH, NEBRASKA 68771**

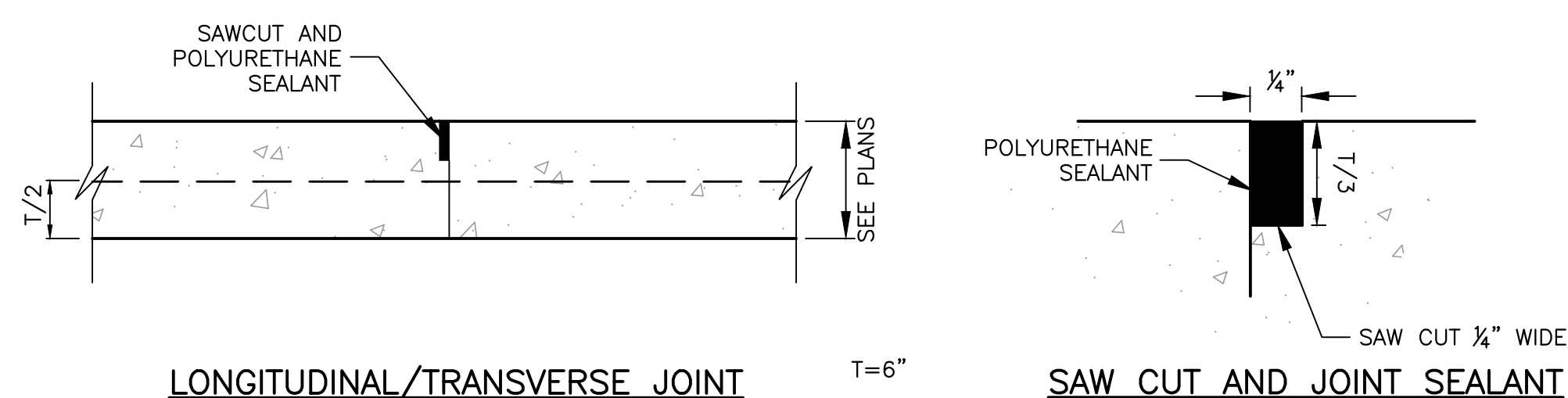


ISSUED FOR	DATE
PROGRESS SET	01/21/22
CONST. SET	02/04/22



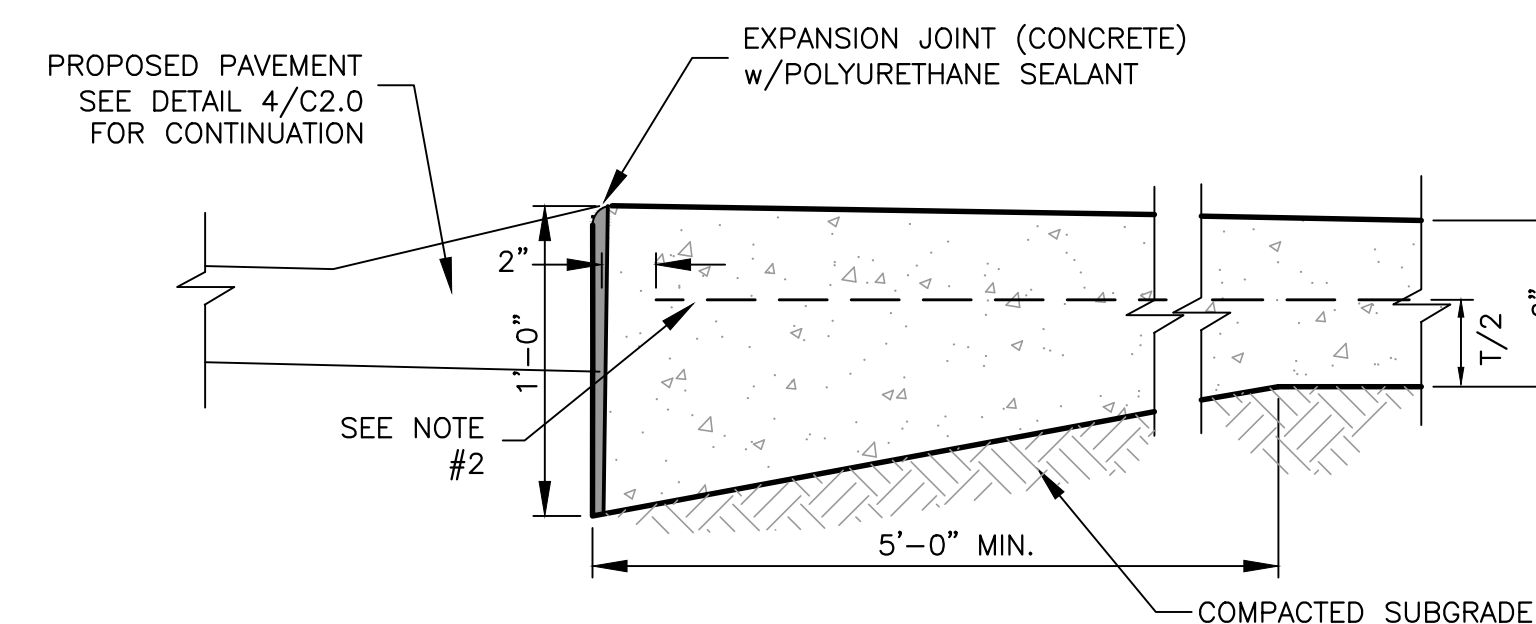
- NOTES:
- CONTRACTOR SHALL SEAL JOINTS WITH POLYURETHANE SEALANT, MEETING NDOT APPROVED PRODUCTS LIST.
 - CONTRACTOR SHALL INSTALL A SINGLE MAT OF #3 DEFORMED GRADE 40 REINFORCING STEEL SPACED AT 18" O.C. SET ON CHAIR SUPPORTS.

1 6" CONCRETE PAVEMENT
C2.0 NO SCALE



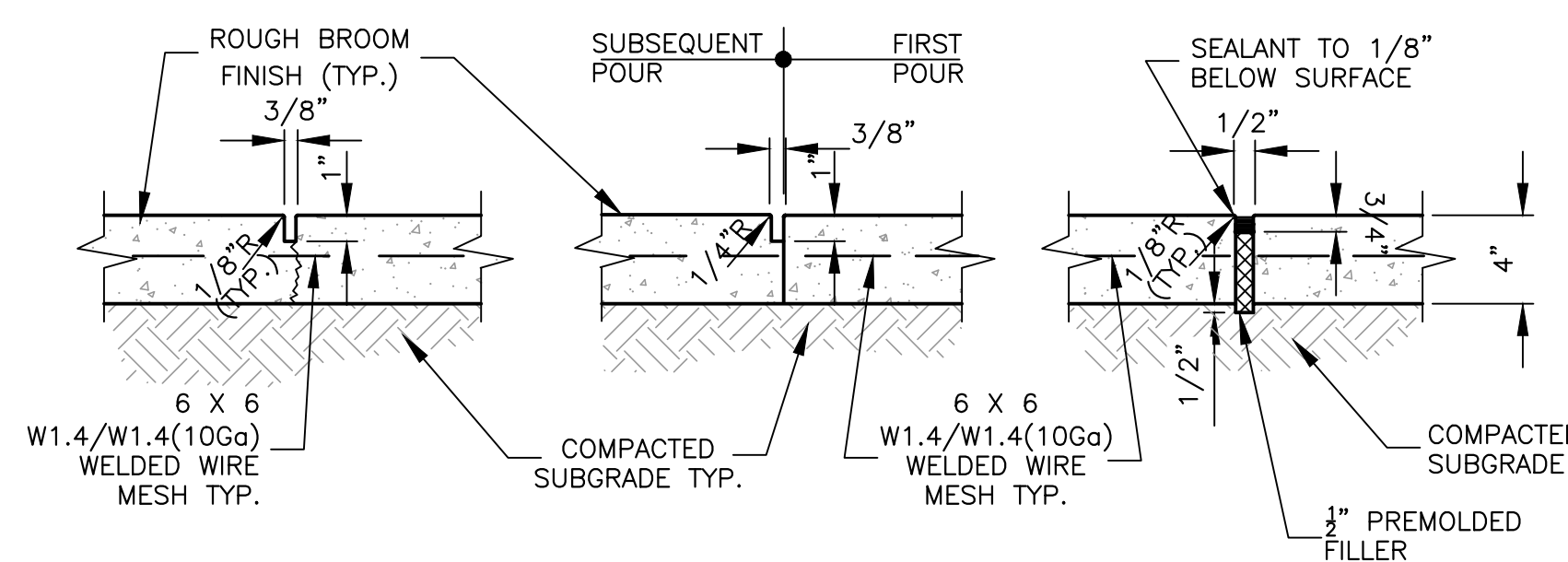
- NOTES:
- CONTRACTOR SHALL SEAL JOINTS WITH POLYURETHANE SEALANT, MEETING NDOT APPROVED PRODUCTS LIST.
 - THE CONTRACTOR SHALL SUBMIT TO THE ENGINEER, PRIOR TO CONSTRUCTION, A CONCRETE PAVEMENT JOINTING PLAN FOR REVIEW AND APPROVAL. MAXIMUM SPACING ON A TRANSVERSE JOINT SHALL BE DETERMINED BY THE THICKNESS OF PAVEMENT, CONTACT ENGINEER.
 - SAW JOINTS AT 10'-0" O.C., SAW JOINTS SAME DAY AS POUR
 - CONTRACTOR SHALL INSTALL A SINGLE MAT OF #3 DEFORMED GRADE 40 REINFORCING STEEL SPACED AT 18" O.C. SET ON CHAIR SUPPORTS.

2 CONCRETE PAVING JOINT DETAILS
C2.0 NO SCALE



- NOTES:
- CONTRACTOR SHALL SEAL JOINTS WITH POLYURETHANE SEALANT, MEETING NDOT APPROVED PRODUCTS LIST.
 - CONTRACTOR SHALL INSTALL A SINGLE MAT OF #3 DEFORMED GRADE 40 REINFORCING STEEL SPACED AT 18" O.C. SET ON CHAIR SUPPORTS.

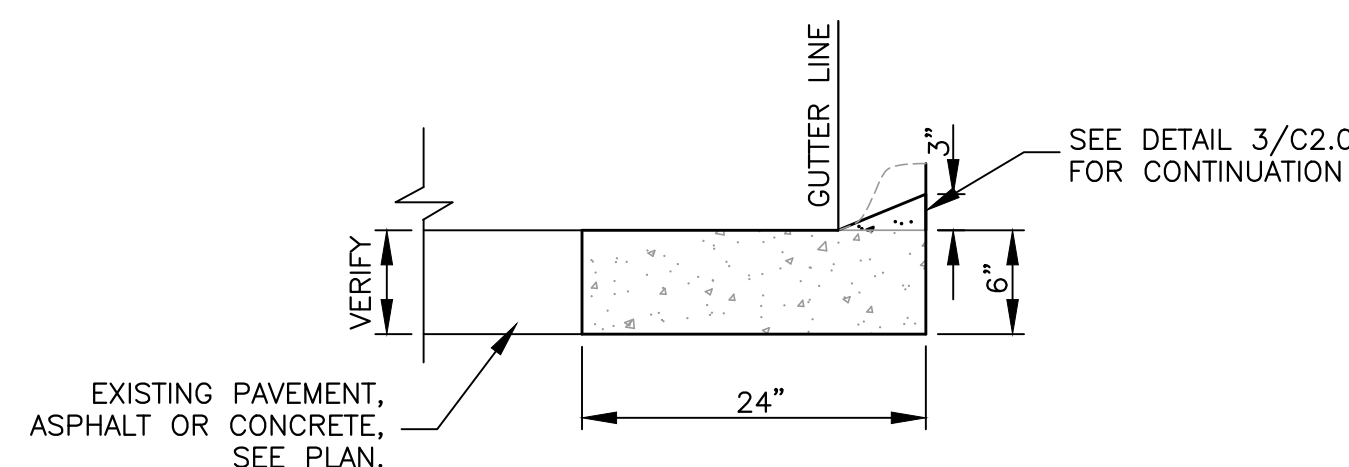
3 THICKENED EDGE CONCRETE PAVEMENT
C2.0 NO SCALE



- CONTRACTION JOINT**
MAXIMUM SPACING = WIDTH OF THE WALK UNLESS INDICATED OTHERWISE ON PLANS
- CONSTRUCTION JOINT**
USE ONLY WHERE CONSTRUCTION JOINTS WOULD OCCUR
- EXPANSION JOINT**
SPACE AS SHOWN ON LAYOUT PLAN (@ 40' MAX.) AND WHERE ABUTTING ALL STRUCTURES, PAVEMENT AND CURBS

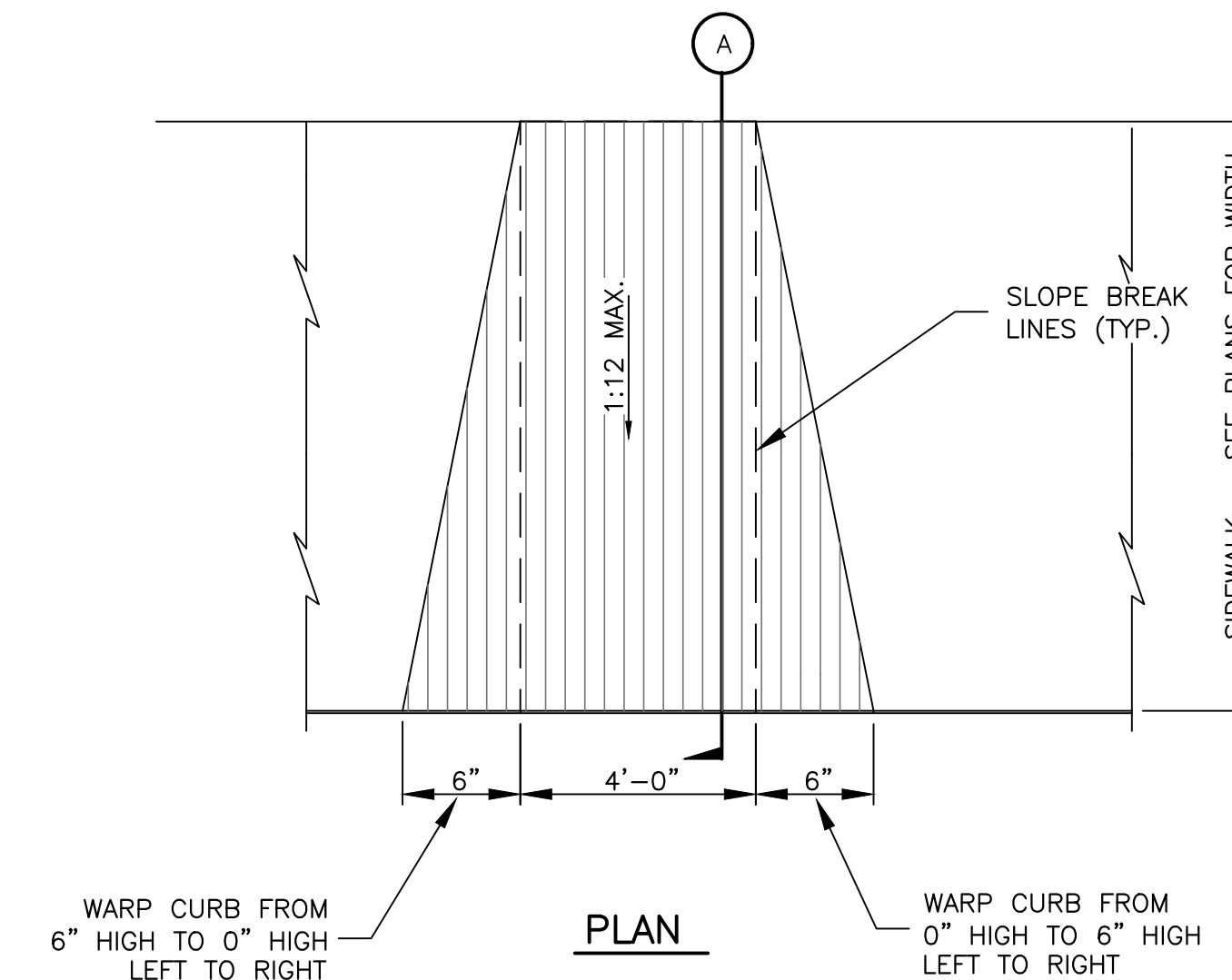
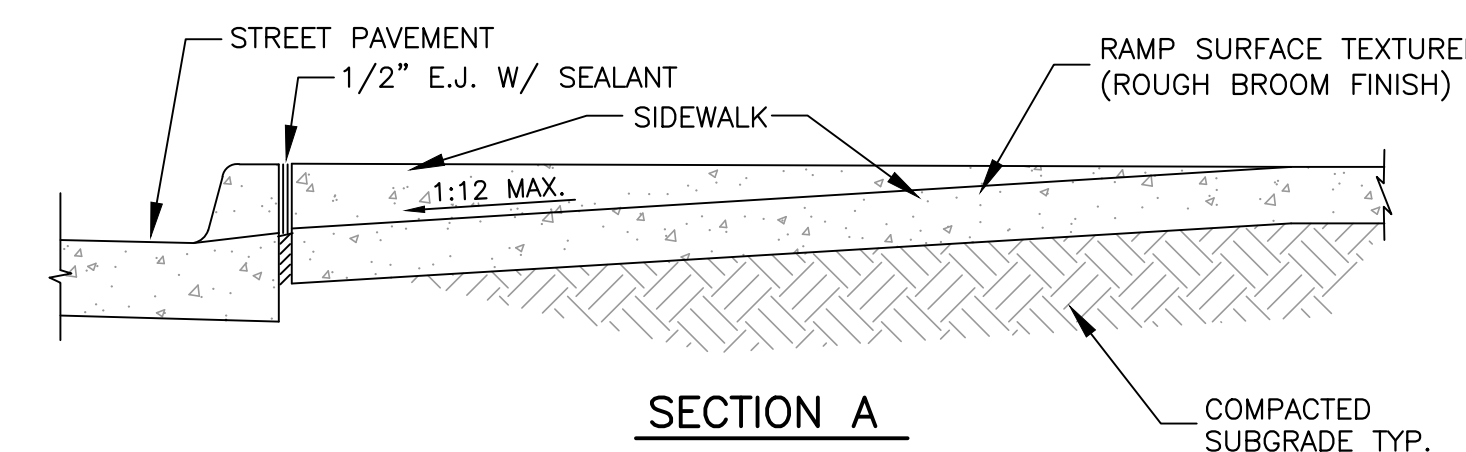
- NOTES:
- WHEN ABUTTING EXISTING SIDEWALK, MATCH EXISTING PATTERN LOCATION OF CONTROL AND EXPANSION JOINTS UNLESS OTHERWISE INDICATED.
 - PROVIDE 1/2" E.J. WITH SEALANT WHEN ABUTTING BACK OF CURB AND STRUCTURES.
 - ALL SIDEWALKS SLOPE AT 2% AWAY FROM BUILDING OR TOWARD CURBS UNLESS SHOWN OTHERWISE.
 - CONTRACTOR SHALL SEAL JOINTS WITH POLYURETHANE SEALANT, MEETING NDOT APPROVED PRODUCTS LIST.

5 CONCRETE SIDEWALK JOINT DETAILS
C2.0 NO SCALE



- NOTES:
- CONTRACTOR SHALL SEAL JOINTS WITH POLYURETHANE SEALANT, MEETING NDOT APPROVED PRODUCTS LIST.

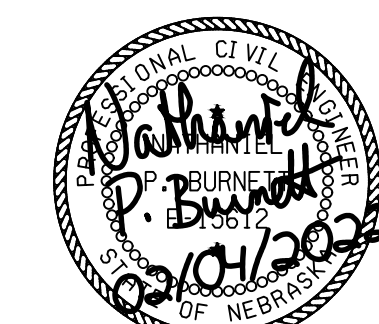
4 BLOCK OUT FOR DRIVEWAY
C2.0 NO SCALE



- WARP CURB FROM 6" HIGH TO 0" HIGH LEFT TO RIGHT
- WARP CURB FROM 0" HIGH TO 6" HIGH LEFT TO RIGHT

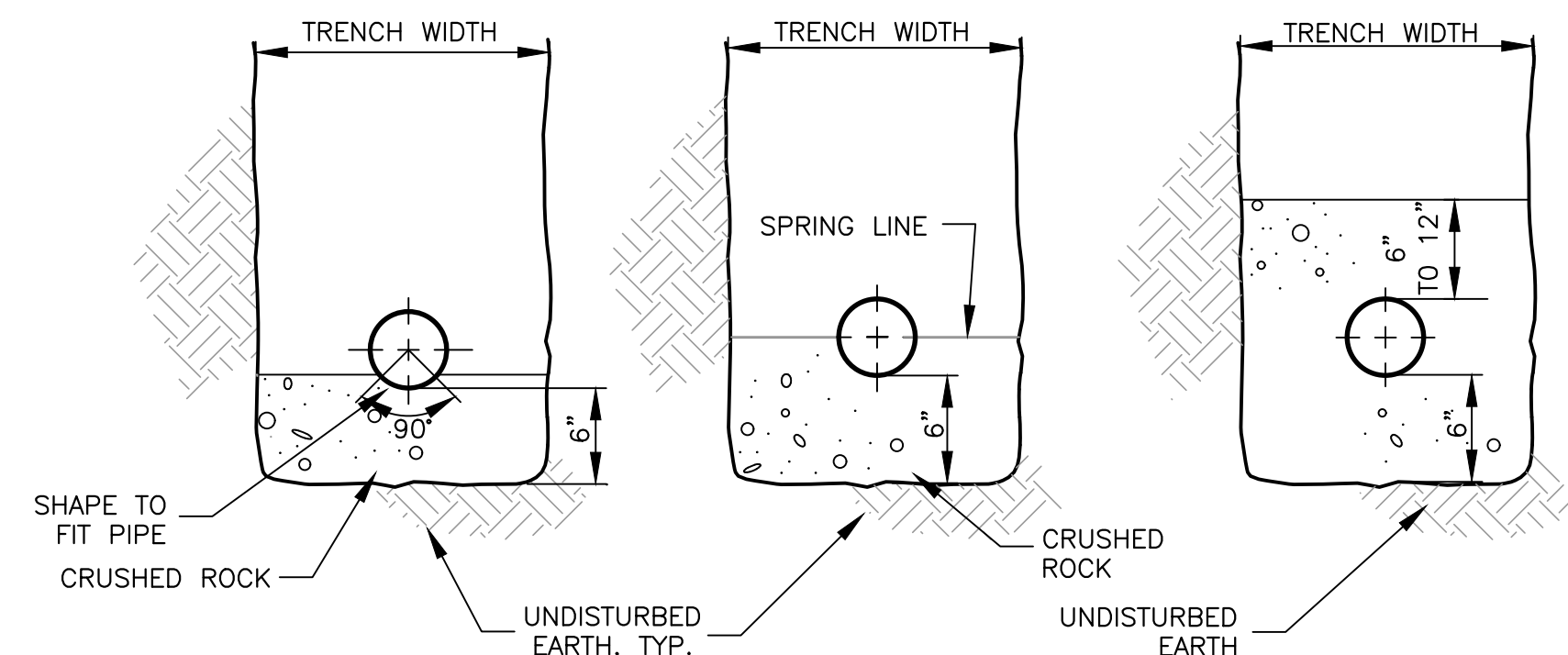
6 SIDEWALK RAMP DETAIL
C2.0 NO SCALE

RANDOLPH PUBLIC SCHOOLS
VOCATIONAL/ART BUILDING
PHASE II ADDITION,
RANDOLPH, NEBRASKA 68771



- ENGINEERING
- PLANNING
- LANDSCAPE ARCHITECTURE
- LAND SURVEYING

ISSUED FOR	DATE
PROGRESS SET	01/21/22
CONST. SET	02/04/22

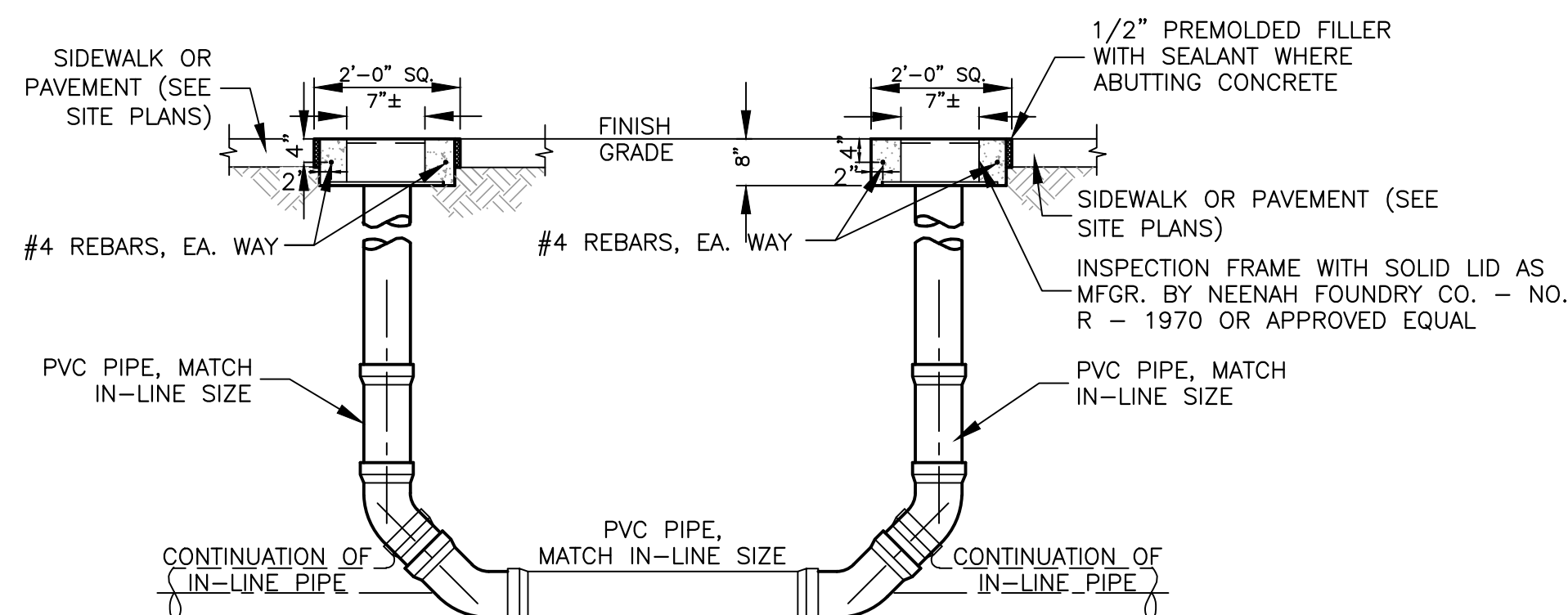


DIP OR RCP **ABS OR PVC (COMPOSITE WALL)** **ABS, PVC, OR HDPE (SOLID WALL)**

NOTES:

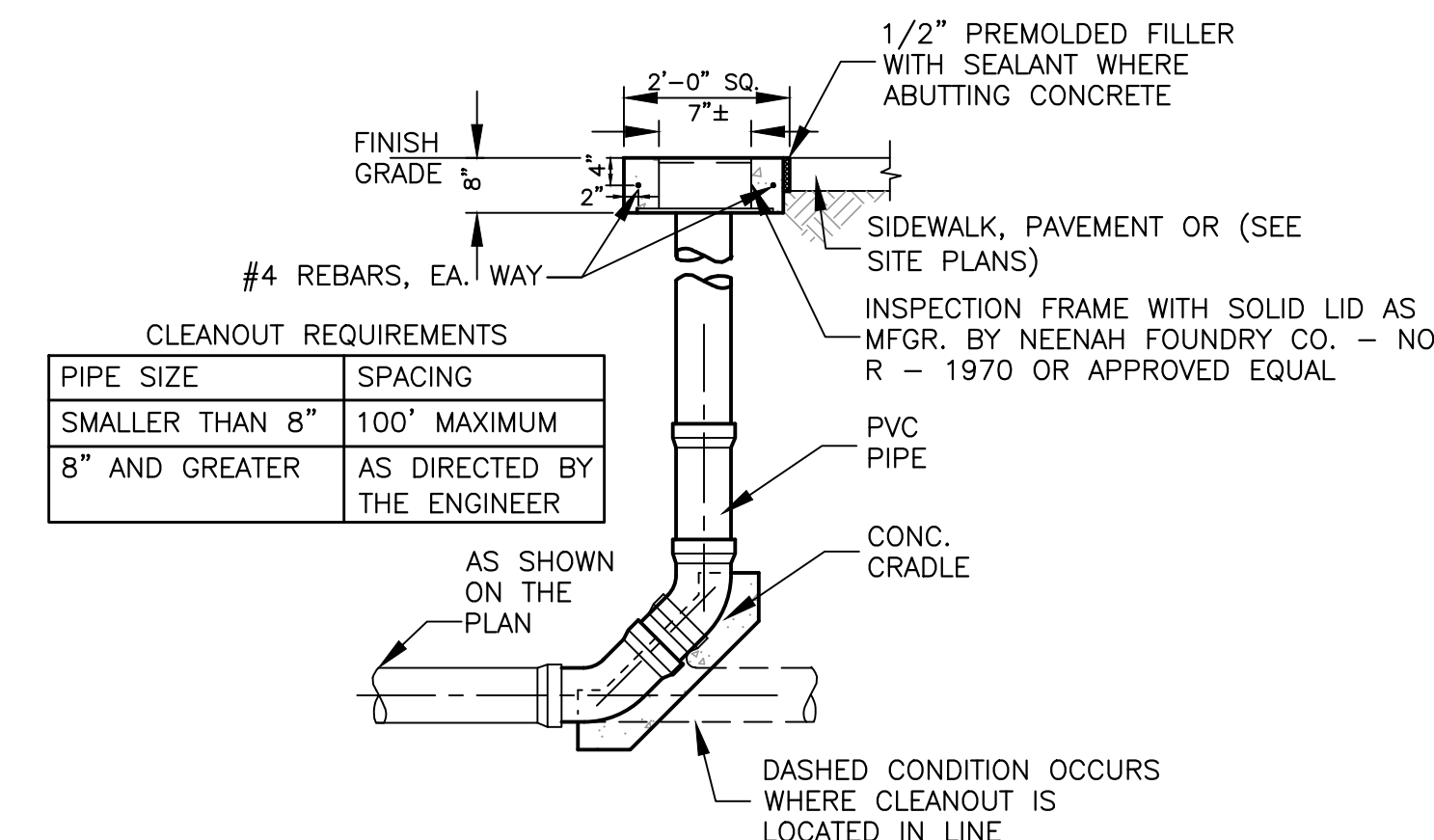
- TRENCH WIDTH: MINIMUM = PIPE O.D. PLUS 1'-4" MAXIMUM = PIPE O.D. PLUS 2'-0"
- CRUSHED ROCK FOR PIPE BEDDING FOR PIPES 15 INCHES IN DIAMETER AND SMALLER SHALL CONFORM TO GRADATIONS AS FOLLOWS:

SIEVE SIZE	PERCENTAGE PASSING
3/4 INCH	100
3/8 INCH	60 ± 15
NO. 4	30 ± 15
NO. 10	15 ± 10
NO. 200	5 ± 5
- CRUSHED ROCK FOR PIPE BEDDING SHALL BE SUBSIDIARY TO THE COST OF THE PIPE. IF UNSTABLE TRENCH BOTTOM SUBGRADE CONDITIONS ARE ENCOUNTERED, ADDITIONAL CRUSHED ROCK FOR BEDDING AND EXTENT SHALL BE AS DIRECTED BY THE ENGINEER, THE COST, MEASUREMENT, AND PAYMENT FOR ADDITIONAL CRUSHED ROCK FOR UNSTABLE TRENCH BOTTOM SUBGRADE PIPE BEDDING CONDITIONS SHALL BE PAID FOR PER TON OF CRUSHED ROCK PLACED.
- TRENCH SHALL BE BRACED, SHEETED OR SLOPED AS NECESSARY FOR THE SAFETY OF WORKMEN AND PROTECTION OF OTHER UTILITIES IN ACCORDANCE WITH APPLICABLE LOCAL, STATE, AND FEDERAL REGULATIONS.
- HDPE SHOWN IS FOR DRAINAGE AND NOT WELL FIELD. WHEN APPLICABLE, SEE MECHANICAL PLANS FOR WELL FIELD INFORMATION.



- NOTES:
1. TOP OF CLEANOUT SHALL BE FLUSH WITH GROUND.
ALL CONCRETE SHALL BE 3500 PSI.

2 DOUBLE CLEANOUT DETAIL
C2.1 NO SCALE

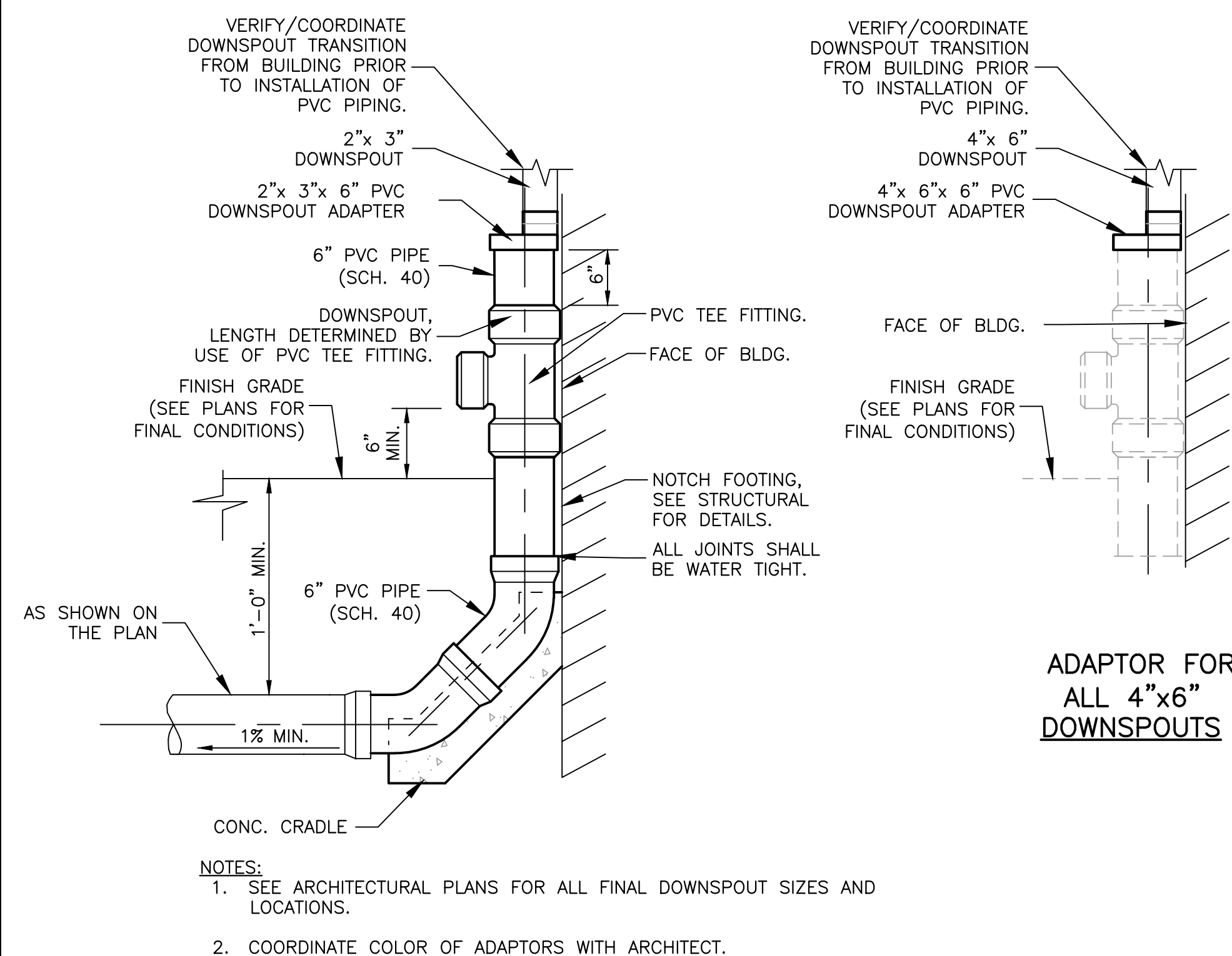


CLEANOUT REQUIREMENTS

PIPE SIZE	SPACING
SMALLER THAN 8"	100' MAXIMUM
8" AND GREATER	AS DIRECTED BY THE ENGINEER

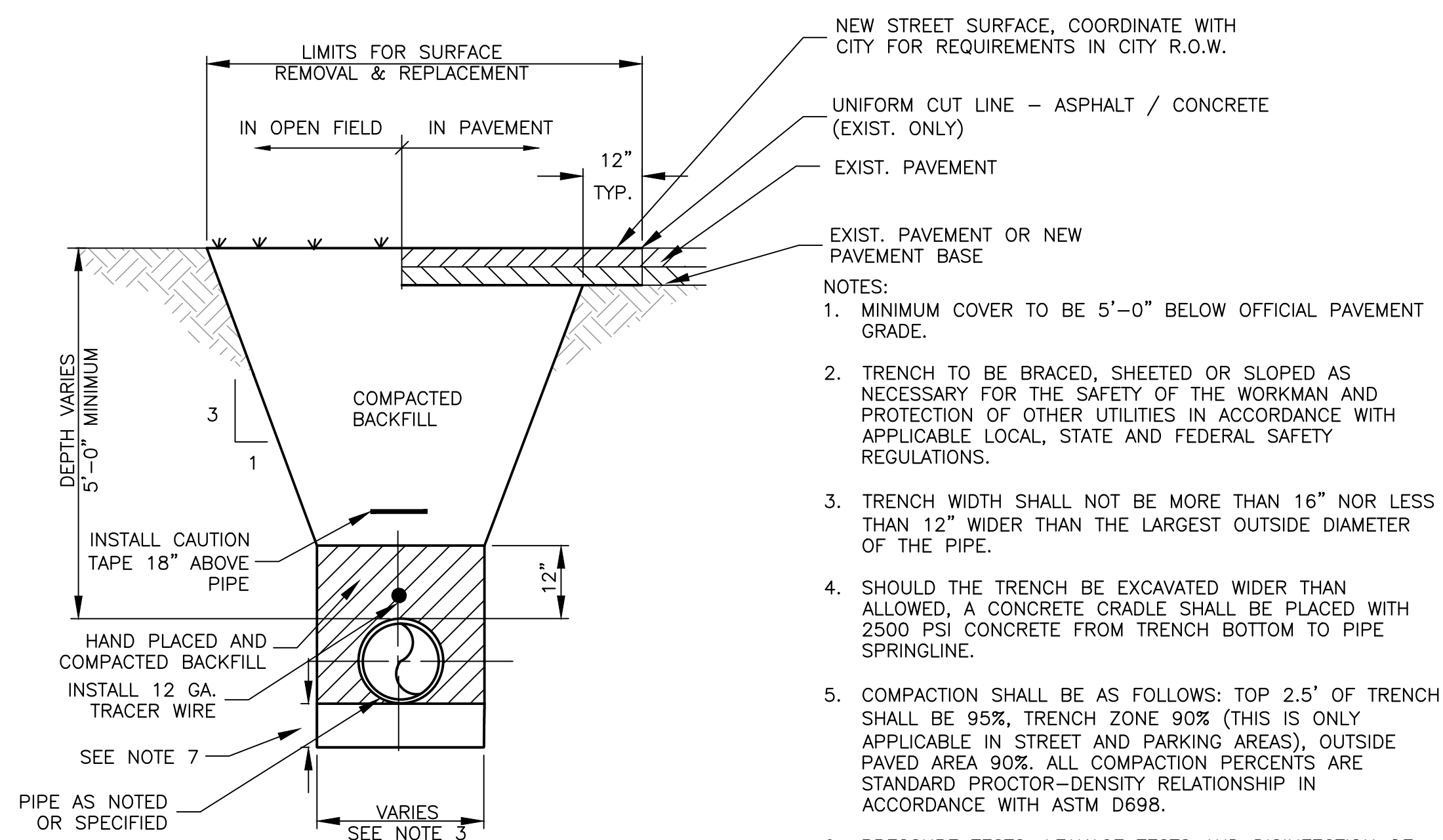
3 CLEANOUT DETAIL
C2.1 NO SCALE

1 PIPE ENVELOPE
C2.1 NO SCALE



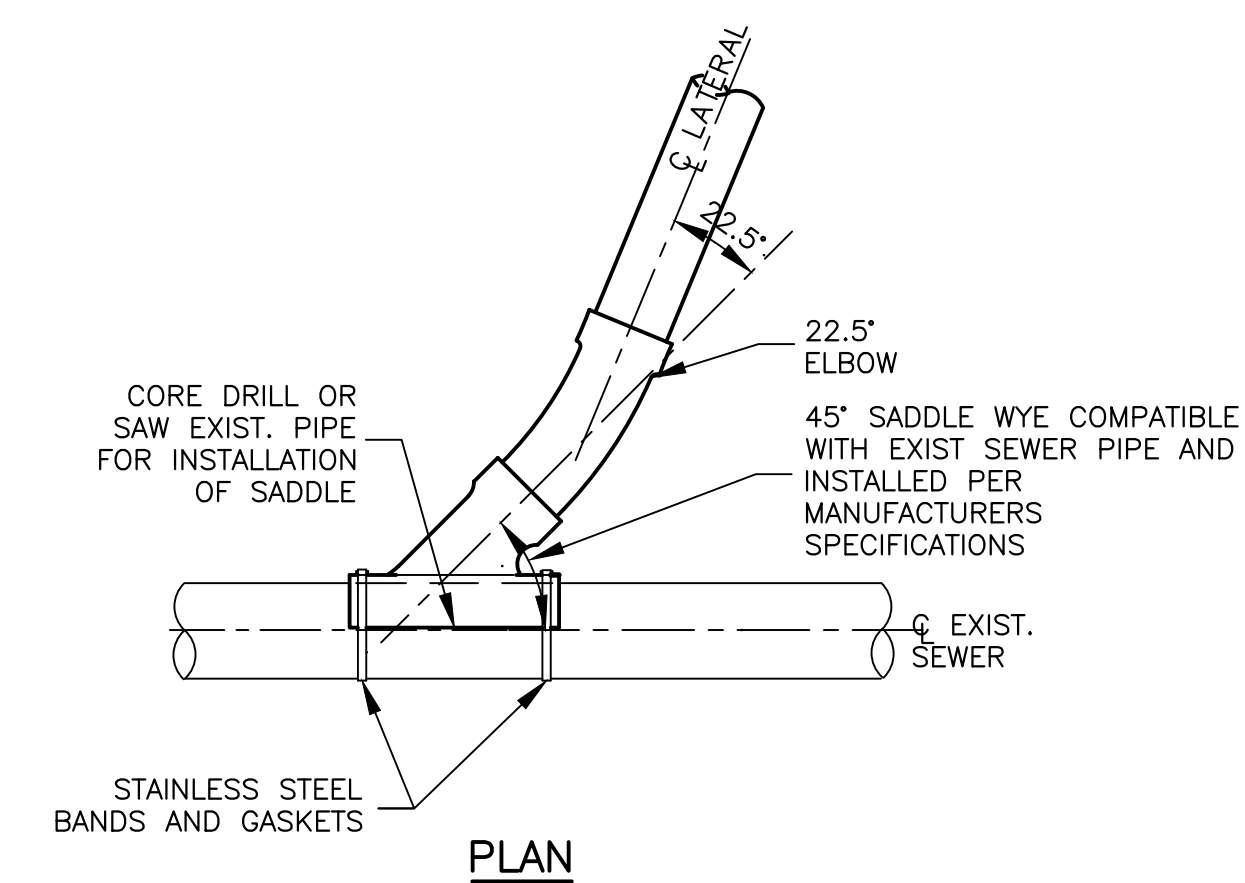
- NOTES:
1. SEE ARCHITECTURAL PLANS FOR ALL FINAL DOWNSPOUT SIZES AND LOCATIONS.
2. COORDINATE COLOR OF ADAPTORS WITH ARCHITECT.

4 PVC DOWNSPOUT DRAIN DETAIL
C2.1 NO SCALE



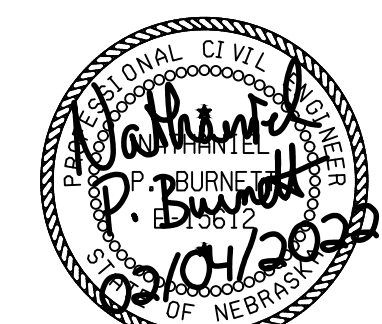
- NOTES:
1. MINIMUM COVER TO BE 5'-0" BELOW OFFICIAL PAVEMENT GRADE.
2. TRENCH TO BE BRACED, SHEETED OR SLOPED AS NECESSARY FOR THE SAFETY OF THE WORKMAN AND PROTECTION OF OTHER UTILITIES IN ACCORDANCE WITH APPLICABLE LOCAL, STATE AND FEDERAL SAFETY REGULATIONS.
3. TRENCH WIDTH SHALL NOT BE MORE THAN 16" NOR LESS THAN 12" WIDER THAN THE LARGEST OUTSIDE DIAMETER OF THE PIPE.
4. SHOULD THE TRENCH BE EXCAVATED WIDER THAN ALLOWED, A CONCRETE CRADLE SHALL BE PLACED WITH 2500 PSI CONCRETE FROM TRENCH BOTTOM TO PIPE SPRINGLINE.
5. COMPACTION SHALL BE AS FOLLOWS: TOP 2.5' OF TRENCH SHALL BE 95%, TRENCH ZONE 90% (THIS IS ONLY APPLICABLE IN STREET AND PARKING AREAS), OUTSIDE PAVED AREA 90%. ALL COMPACTION PERCENTS ARE STANDARD PROCTOR-DENSITY RELATIONSHIP IN ACCORDANCE WITH ASTM D698.
6. PRESSURE TESTS, LEAKAGE TESTS AND DISINFECTION OF ALL WATER LINES SHALL BE AS REQUIRED BY LOCAL STANDARDS AND REQUIREMENTS.
7. IN LIEU OF HAND PLACED AND COMPACTED BACKFILL, ALL WATER LINES 3" OR BIGGER SHALL BE BEDDED WITH CRUSHED ROCK 6" BELOW TO 1' ABOVE TOP OF PIPE.

5 PIPE ENVELOPE-WATER
C2.1 NO SCALE

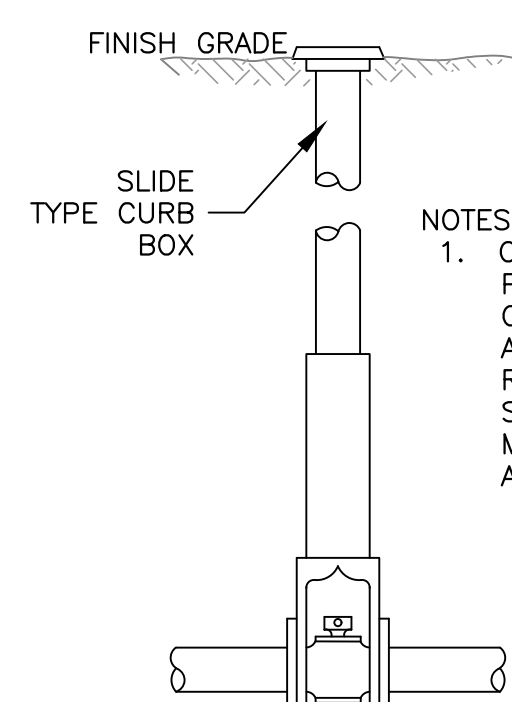


6 SANITARY SEWER TAP
C2.1 NO SCALE

RANDOLPH PUBLIC SCHOOLS
VOCATIONAL/ART BUILDING
PHASE II ADDITION,
RANDOLPH, NEBRASKA 68771

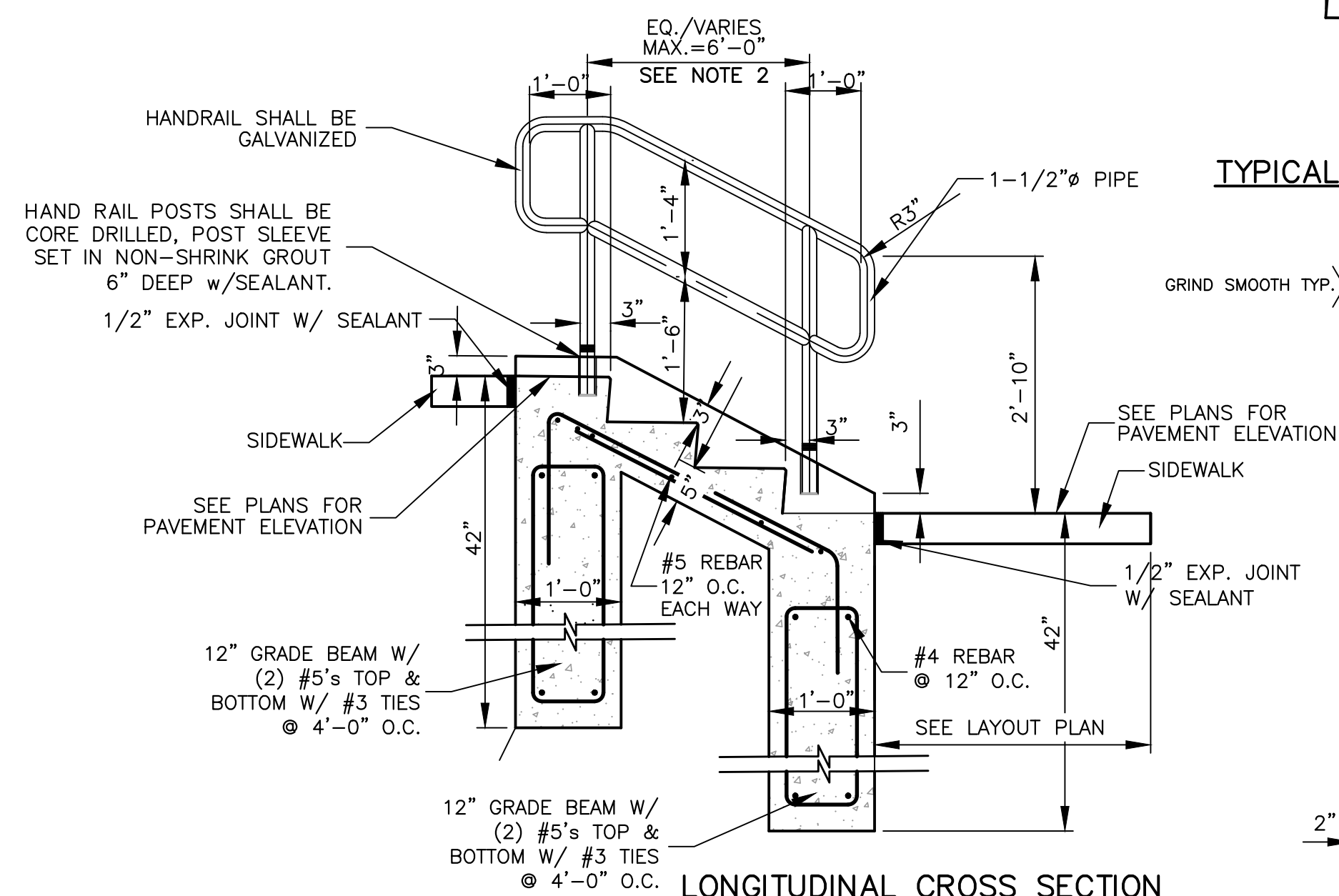


ISSUED FOR	DATE
PROGRESS SET	01/21/22
CONST. SET	02/04/22



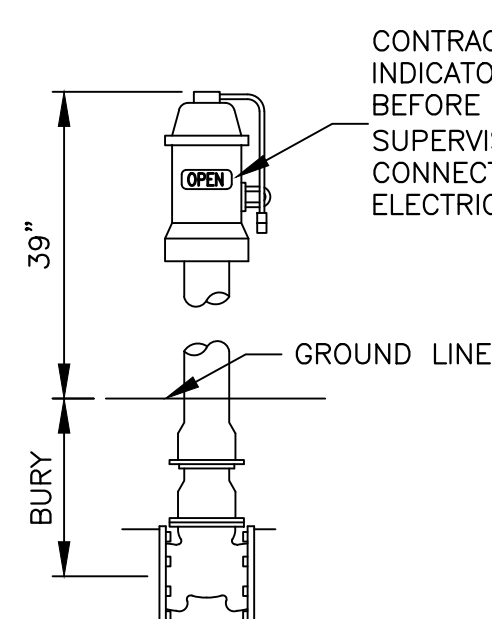
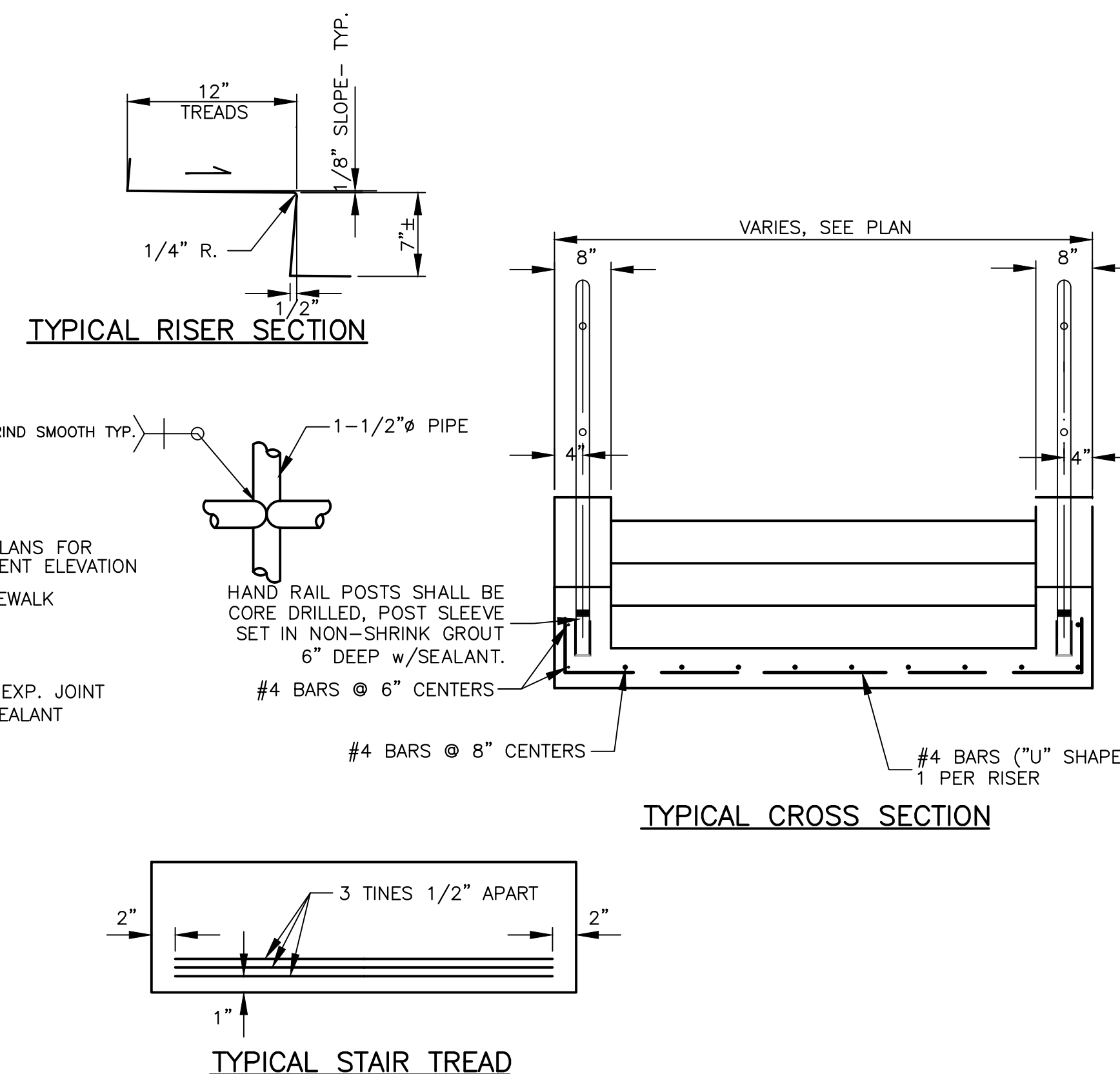
NOTES:
1. CURB STOP SHALL BE LOCATED PER PLAN OR DIRECTED BY THE ENGINEER. CONTRACTOR SHALL COORDINATE LOCATION AND INSTALLATION PER CITY OF RANDOLPH RULES AND REGULATIONS. CURB STOP SHALL BE MANUFACTURED BY FORD METER BOX CO., INC., MUELLER CO.; OR APPROVED EQUAL.

1 CURB STOP DETAIL
C2.2 NO SCALE



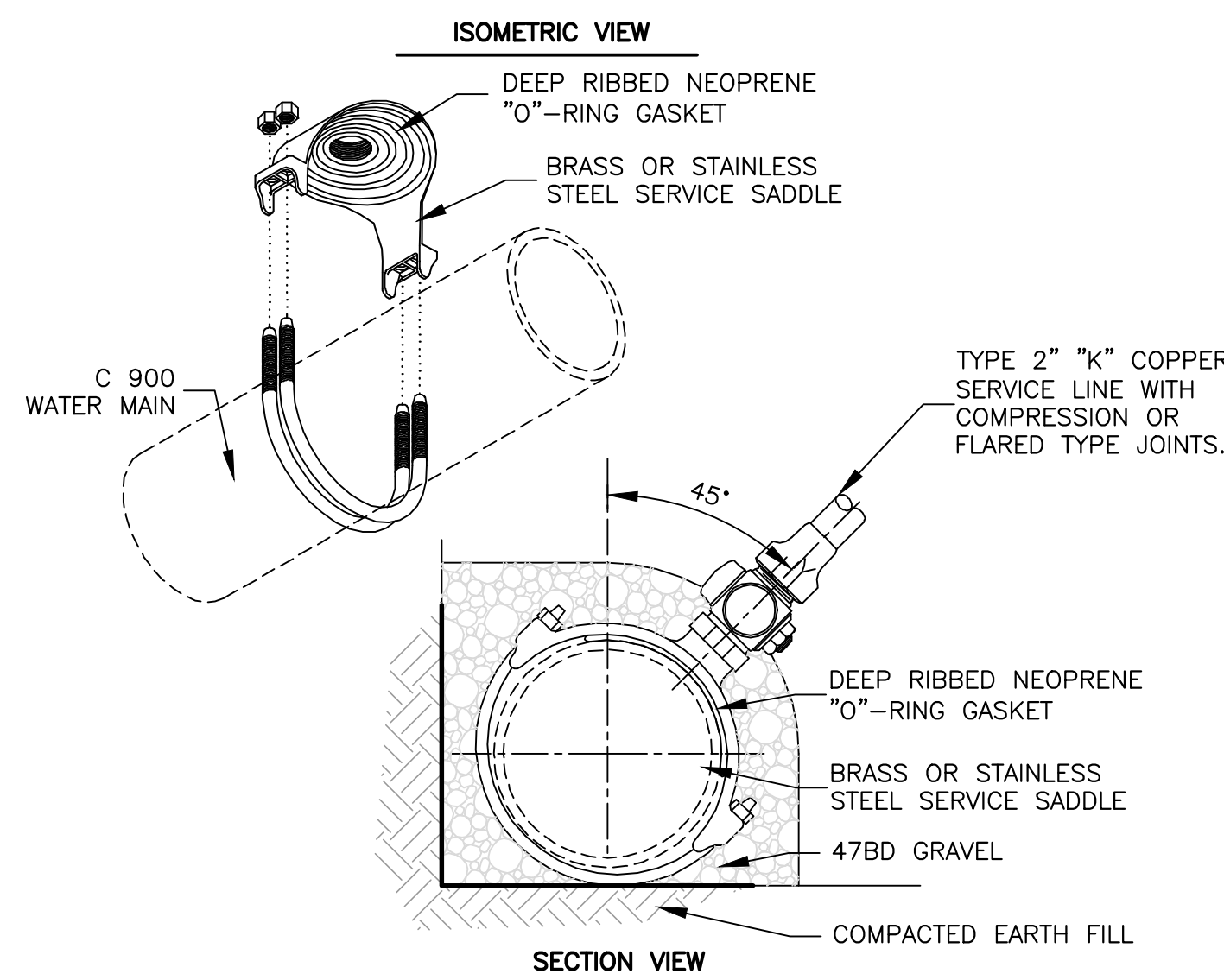
NOTES:
1. CONCRETE SHALL BE L3500.
2. SEE PLANS FOR NUMBER OF TREADS REQUIRED.
3. WIDTH OF STEPS SHALL BE AS SHOWN ON THE PLANS.
4. TREADS SHALL BE GIVEN A WOOD FLOAT FINISH AND ALL OTHER EXPOSED CONCRETE SHALL BE FINISHED SMOOTH.
5. ALL EXPOSED CONCRETE EDGES SHALL BE 3/4" CHAMFERED.
6. REINFORCING STEEL SHALL BE PLACED AS SHOWN WITH 2" (MINIMUM) CLEARANCE.
7. INSTALL HAND RAIL AS SHOWN. (TO BE INCLUDED IN STEP COST).

2 TYPICAL CONCRETE STAIR DETAIL (w/WINGWALLS)
C2.2 NO SCALE



CONTRACTOR SHALL SUBMIT PROPOSED POST INDICATOR VALVE TO OWNER FOR APPROVAL BEFORE INSTALLATION OR ORDERING P.I.V. INSTALL SUPERVISORY/TAMPER SWITCH FOR ELECTRICAL CONNECTION FROM P.I.V. TO FIRE ALARM SYSTEM. ELECTRICAL CONNECTIONS BY ELECTRICIAN.

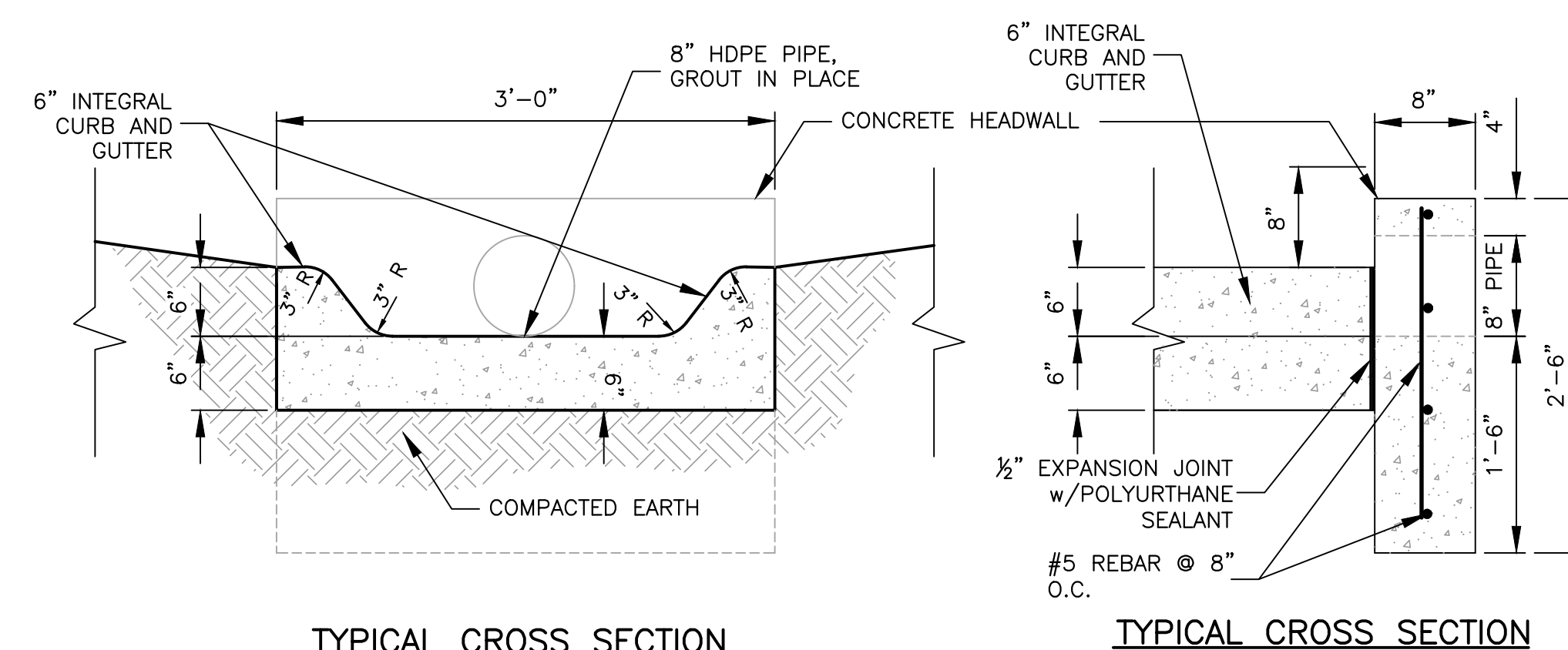
3 POST INDICATOR VALVE DETAIL
C2.2 NO SCALE



TYPICAL DOUBLE STRAP SERVICE SADDLE

NOTE:
1. PRODUCT TYPE DETERMINED BY VILLAGE OF RANDOLPH OF SPECIFICATIONS.

4 WATER SERVICE TAP
C2.2 NO SCALE



TYPICAL CROSS SECTION

TYPICAL CROSS SECTION

5 SWALE/ CONCRETE HEADWALL
C2.2 NO SCALE

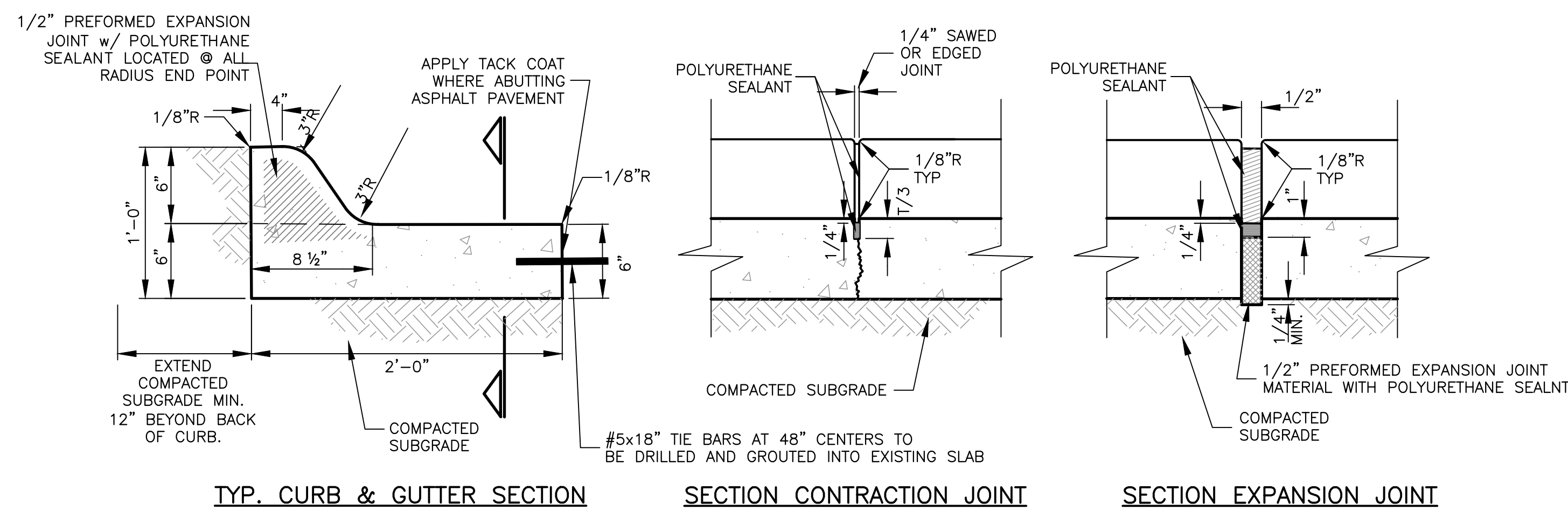
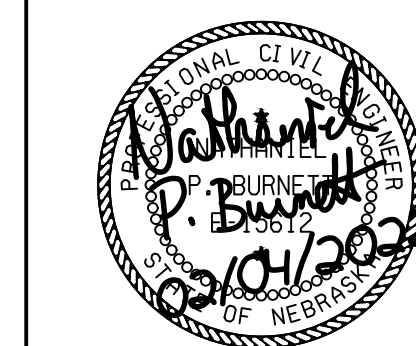
RANDOLPH PUBLIC SCHOOLS
VOCATIONAL/ART BUILDING
PHASE II ADDITION,
RANDOLPH, NEBRASKA 68771



- ENGINEERING
- PLANNING
- LANDSCAPE ARCHITECTURE
- LAND SURVEYING

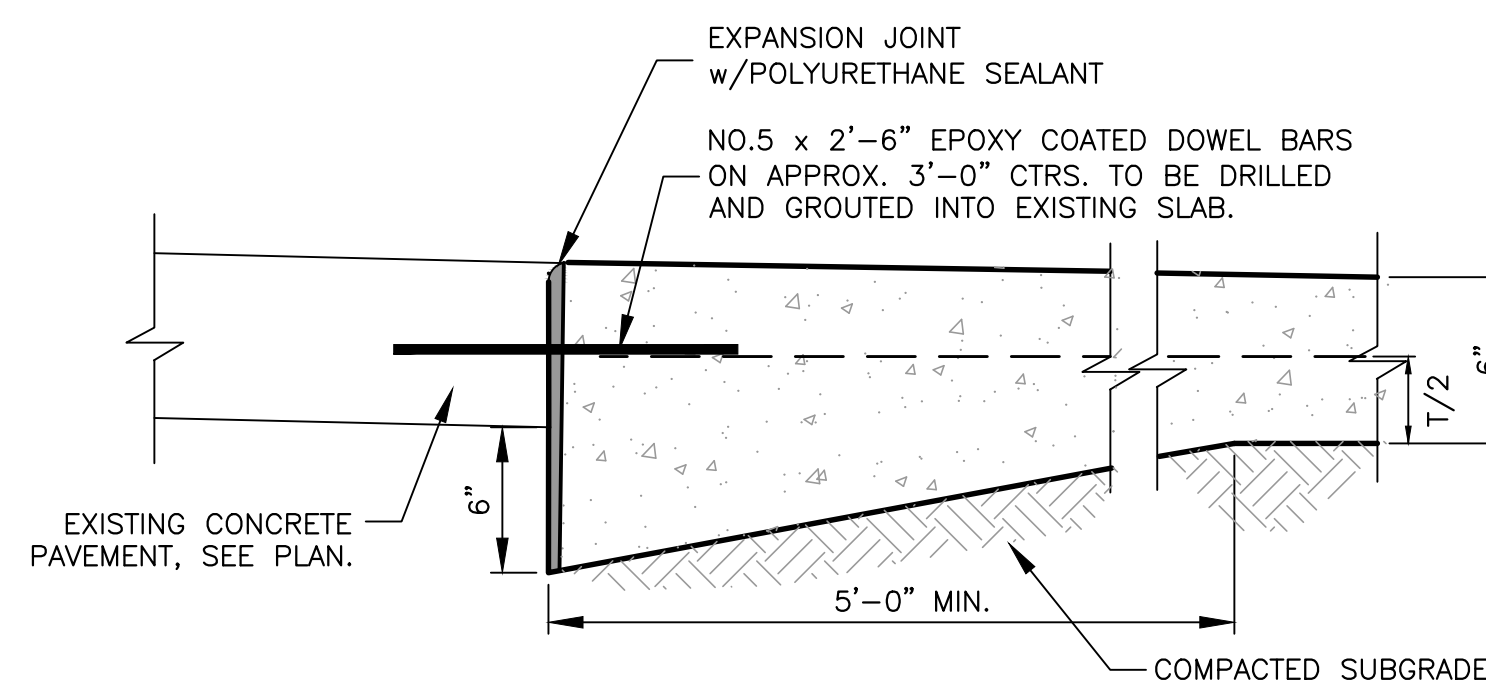
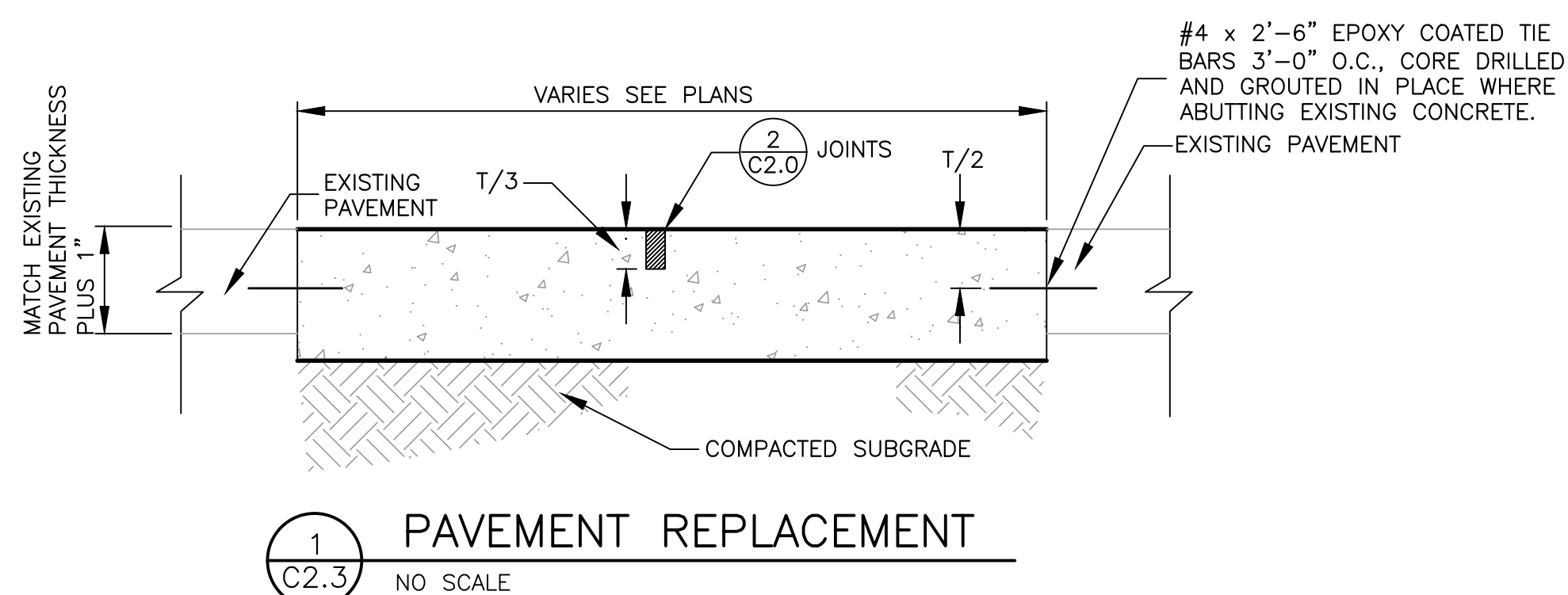
ISSUED FOR	DATE
PROGRESS SET	01/21/22
CONST. SET	02/04/22

RANDOLPH PUBLIC SCHOOLS
 VOCATIONAL/ART BUILDING
 PHASE II ADDITION,
 RANDOLPH, NEBRASKA 68771



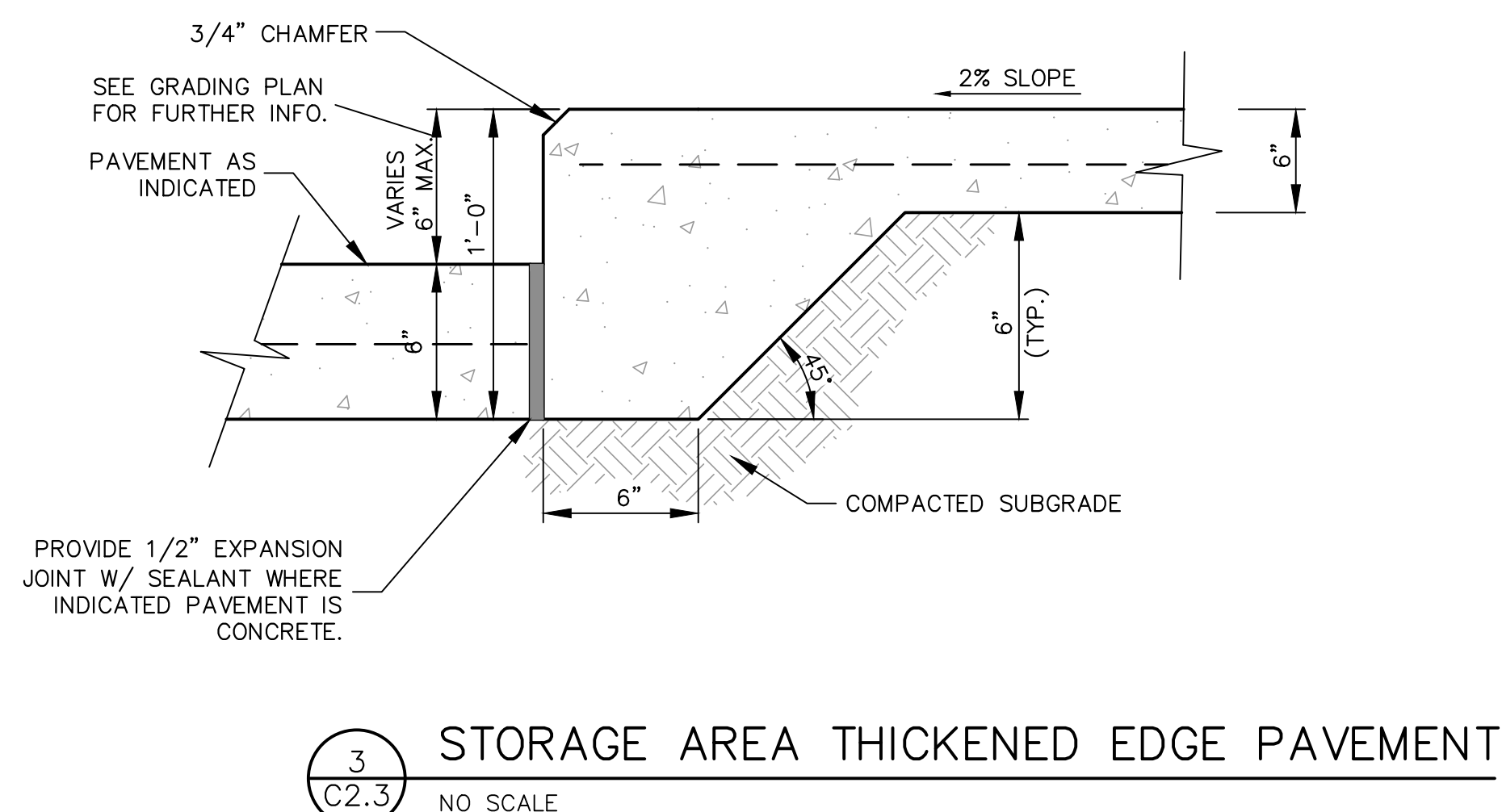
- NOTES:
1. LOCATE E.J. AT POINTS OF CURVATURE
 2. FOR RADII OF LESS THAN 100' LOCATE E.J. WHERE CURBS ABUT INLETS AND OTHER STRUCTURES
 3. CONTRACTOR SHALL SEAL JOINTS WITH POLYURETHANE SEALANT, MEETING NDOT APPROVED PRODUCTS LIST.
 4. CONTRACTOR SHALL INSTALL 1/2" EXPANSION JOINT AT MIN. OF EVERY 150'.

2 COMBINATION CURB & GUTTER
C2.3 NO SCALE

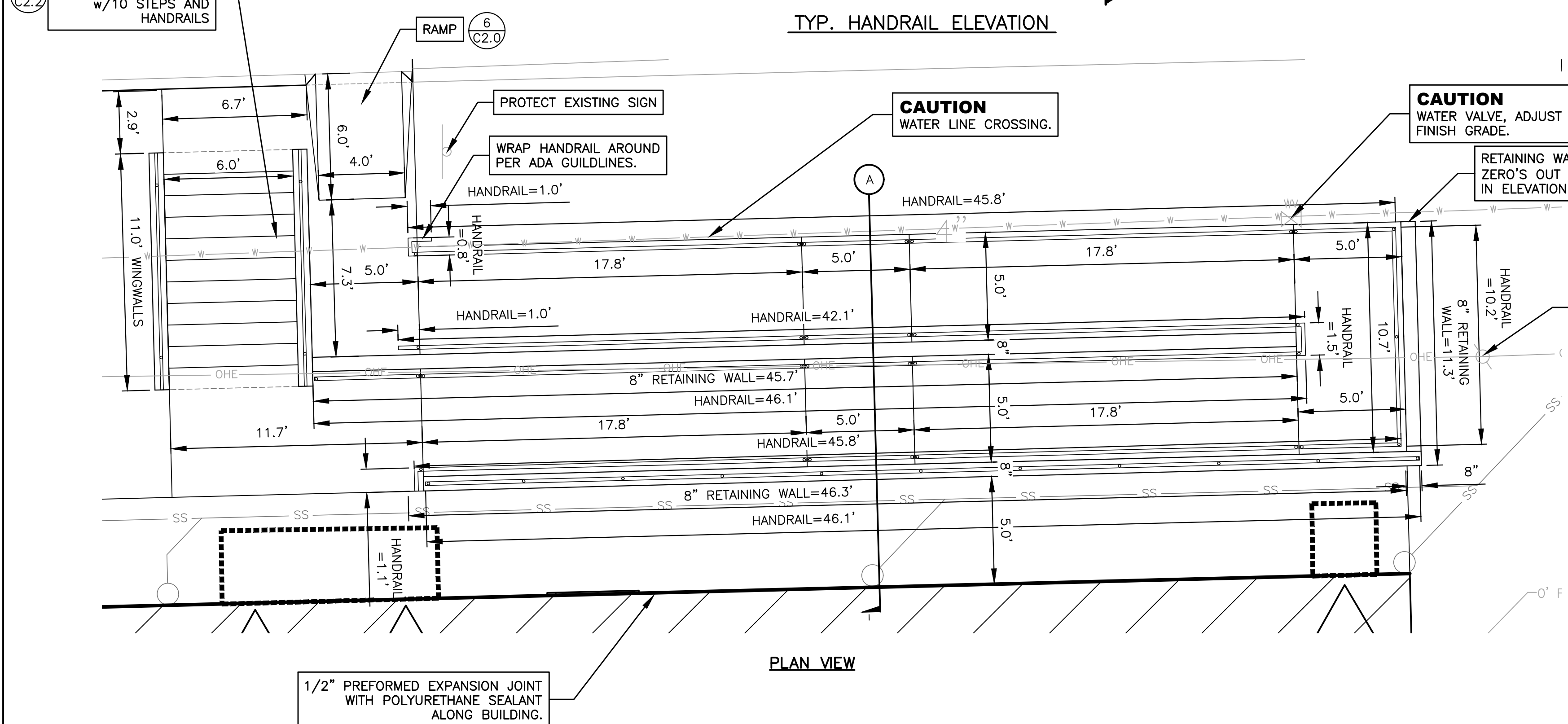
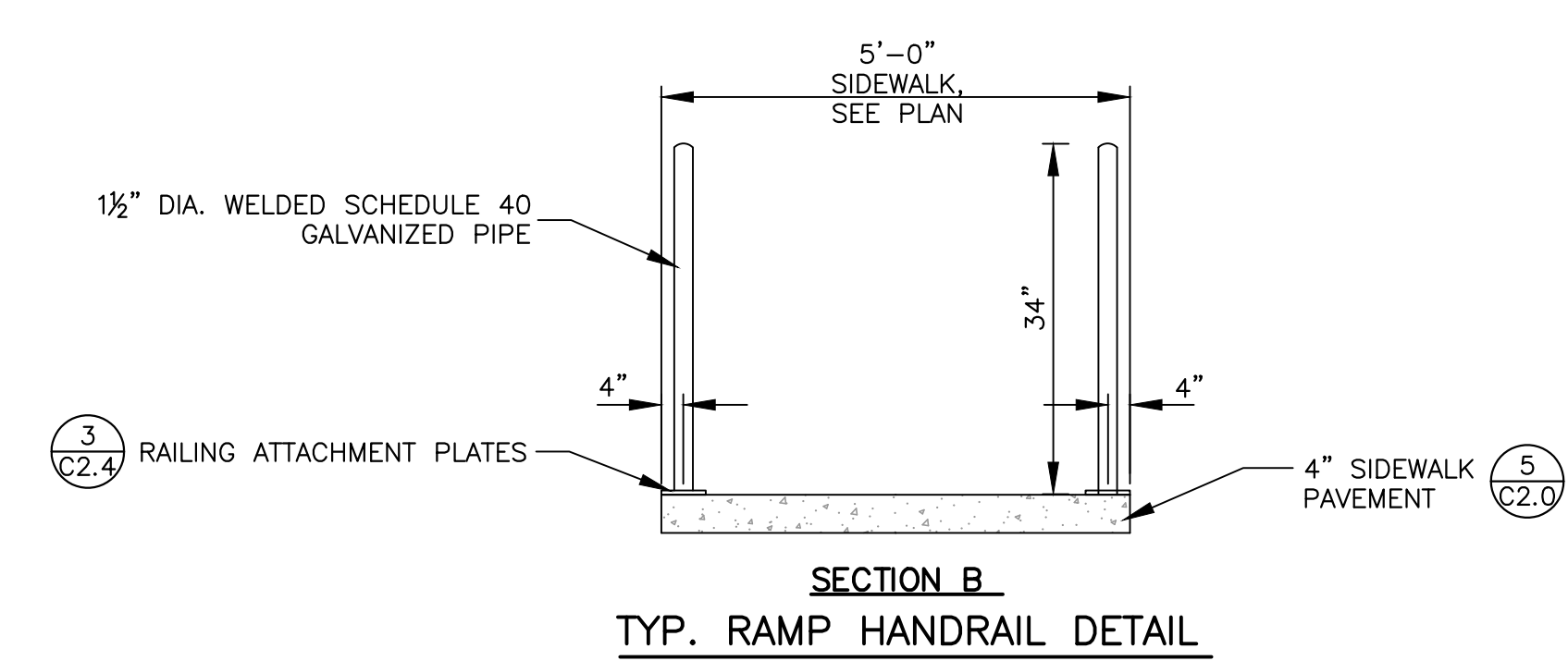
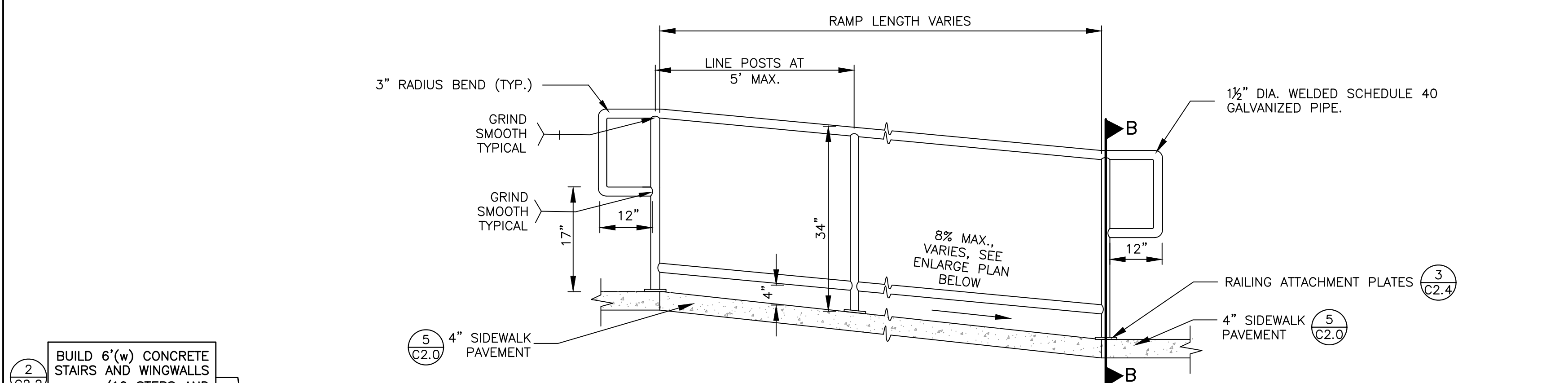


- NOTES:
1. DOWEL BARS ARE TO BE INSTALLED WHERE NEW CONCRETE PAVEMENT IS PLACED ADJACENT TO EXISTING CONCRETE PAVEMENT.
 2. APPLY DOWEL BARS WHERE HEAVY TRAFFIC WILL BE CROSSING.
 3. CONTRACTOR SHALL SEAL JOINTS WITH POLYURETHANE SEALANT, MEETING NDOT APPROVED PRODUCTS LIST.
 4. CONTRACTOR SHALL INSTALL A SINGLE MAT OF #3 DEFORMED GRADE 40 REINFORCING STEEL SPACED AT 18" O.C. SET ON CHAIR SUPPORTS.

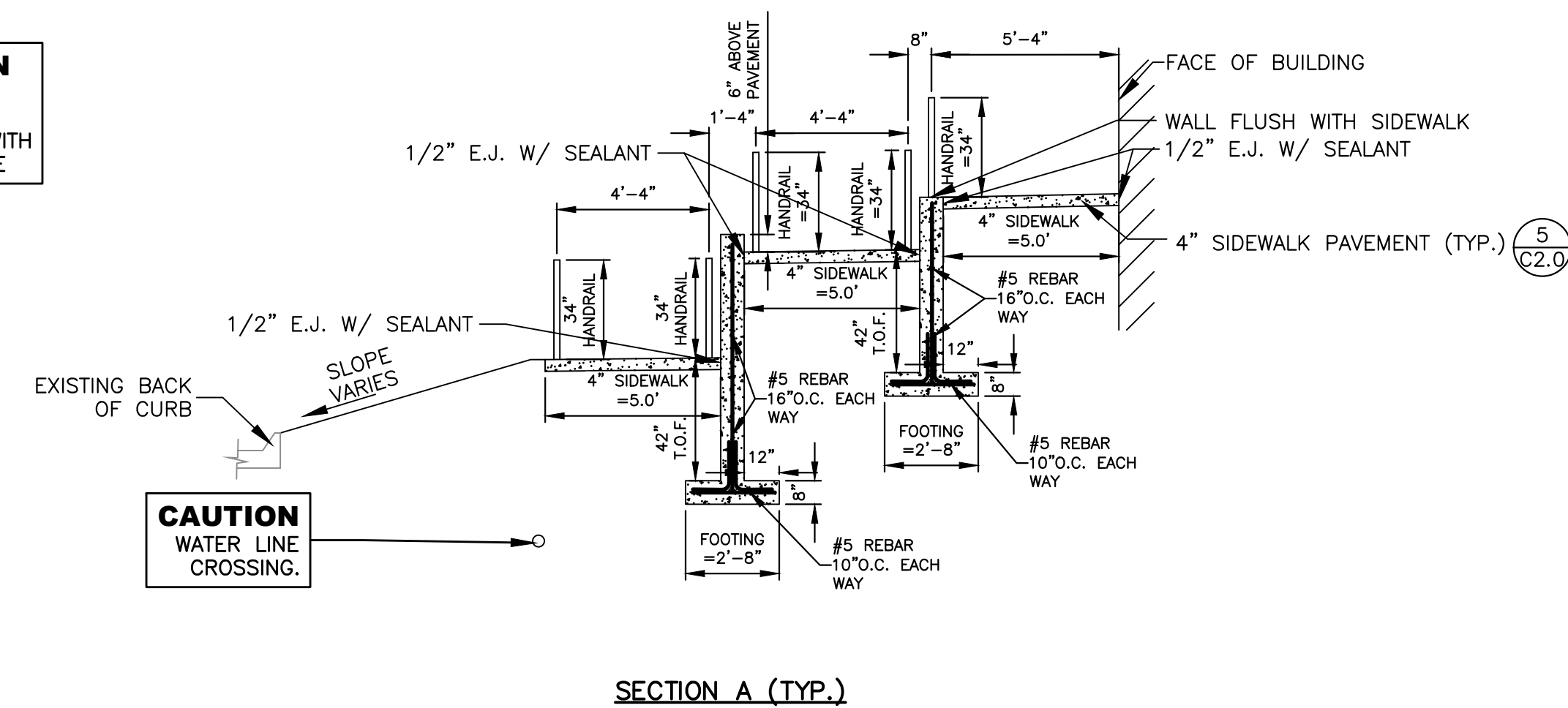
4 THICKENED EDGE CONCRETE PAVEMENT w/REBAR
C2.3 NO SCALE



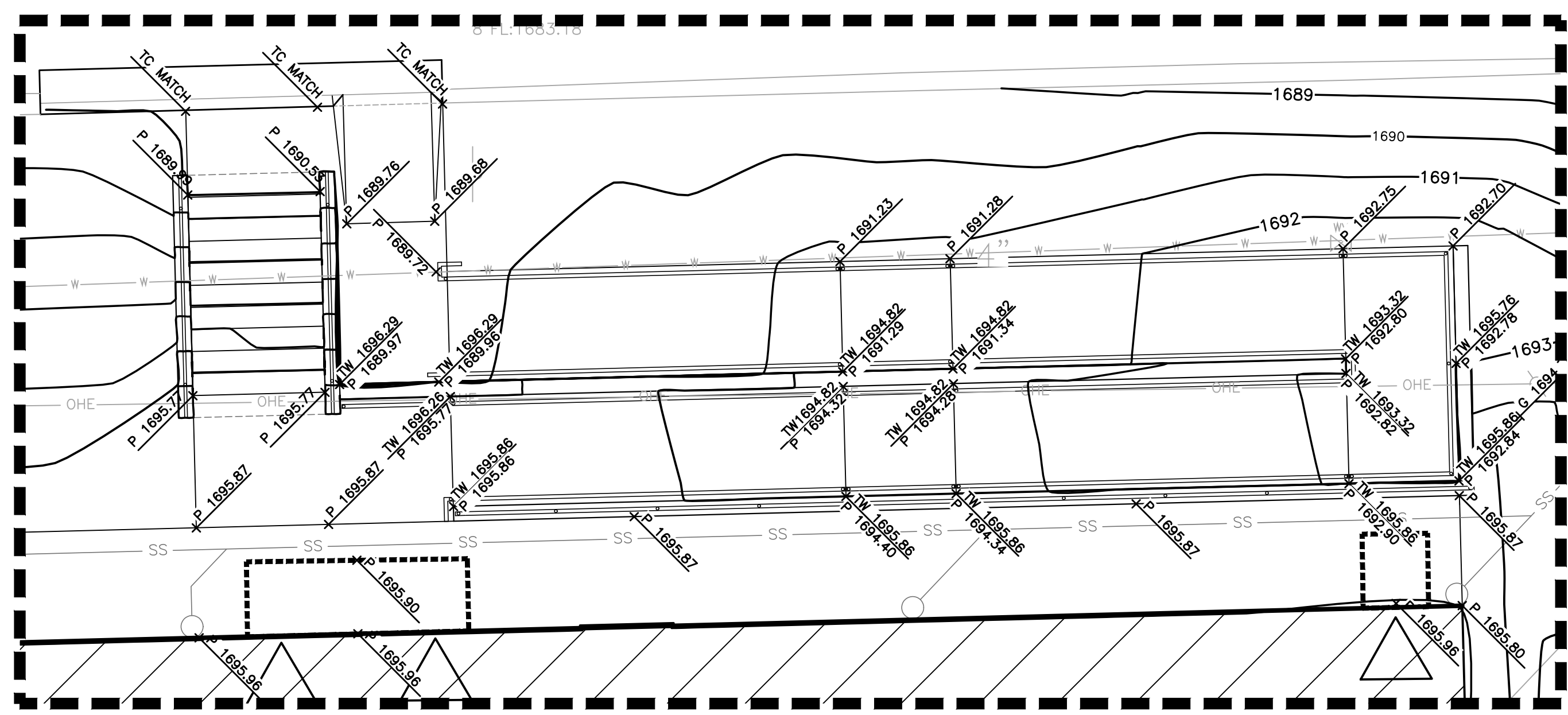
ISSUED FOR	DATE
PROGRESS SET	01/21/22
CONST. SET	02/04/22



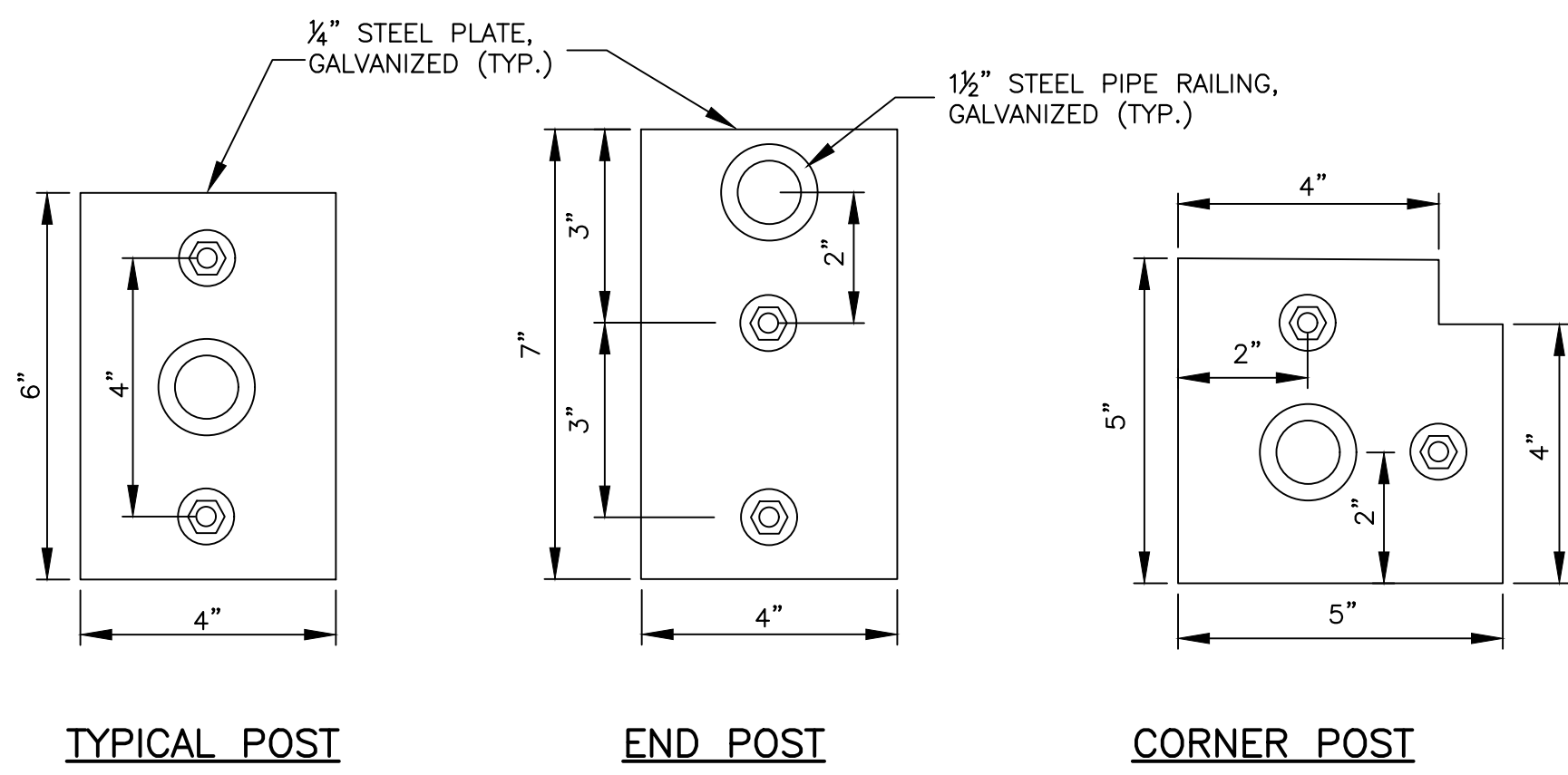
- NOTES:
- ALL EXPOSED CONCRETE EDGES OF RETAINING WALL SHALL BE 3/4" CHAMFERED.
 - COORDINATE WITH ARCHITECT ON PAINT FOR HAND RAILING COLOR.
 - PROVIDE EXPANSION JOINT WITH POLYURETHANE SEALANT WHERE ABUTTING CONCRETE PAVEMENT
 - FOR ADDITIONAL INFORMATION SEE DETAIL 2/C2.4 ENLARGED SPOT GRADING PLAN AND C1.3 GRADING PLAN.



1 RAMP DETAIL
C2.4 NO SCALE



2 ENLARGE SPOT GRADE PLANVIEW
C2.4 SCALE: 1"=5'



3 RAILING ATTACHMENT PLATES
C2.4 NO SCALE

NOTE: ANCHORS TO BE (2) 1/2" DIAMETER HILTI KWIK HUS-EZ 4-1/2" MIN. EMBEDMENT



RANDOLPH PUBLIC SCHOOLS
VOCATIONAL/ART BUILDING
PHASE II ADDITION,
RANDOLPH, NEBRASKA 68771

